

ASi-5/ASi-3 Splitter, IP67

Connection for profile cables:

1 x ASi-5/ASi-3 to M12 cable socket, angled, A coded, 5 poles

ASi-5 communicates in the frequency range from 1 ... 10 MHz on many frequencies. Interference in the range of 1 ... 10 MHz can affect the ASi-5 communication.

The ASi-5/ASi-3 Splitter suppresses the coupling of interference above 1 MHz and thus protects the ASi-5 communication on the ASi main line.

Only ASi-3 modules should be connected in the subsequent ASi segment after the branch.



(figure similar)



Figure	Profile cable connection	Connection ⁽¹⁾	Internal fuse	Round cable ⁽²⁾	Flat design, montage in cable duct possible	LED	Special function	Article no.
	1 x ASi-5/ASi-3	1 x M12 cable socket, angled, A coded, 5 poles	no	3 m	yes, 19 mm deep	no	ASi-5/ASi-3 Splitter	BWU5126

⁽¹⁾ **Connection:** further connection options are available on request.

M12 cable socket, angled	M12 cable socket, straight	M8 cable socket, straight	round cable / connecting wires	profile cable branch
PUR line: oil resistant				

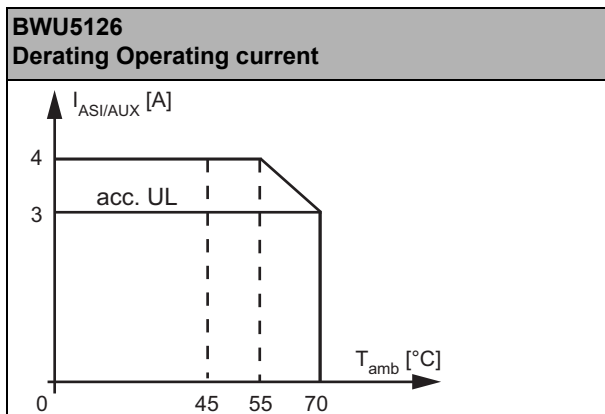
⁽²⁾ **Cable:** other cable lengths are available on request.

Under normal conditions (without bus termination or repeater), the permissible total length of the **ASi segment is max. 100 m**. When calculating, it must be taken into account that the length of the connection cable (round cable) of each connected **passive distributor** must be **doubled**. For **active distributors** (ASi modules), however, only the **single** ASi profile cable counts.

Article No.	BWU5126
Connection	
Profile cable connection	1 x ASi-5/ASi-3 profile cable, piercing technology
Connection	1 x M12 cable socket, angled, A coded, 5 poles
Round cable (L in m) ⁽¹⁾	L1: 3.0 max. allowed tensile strain 10 N
Operating voltage	10 ... 32 V _{DC} PELV
Operating current	4 A per M12 connection ⁽²⁾
Internal fuse	–
Environment	
Applied standards	EN 60529 EN 61000-6-2 EN 61000-6-3
It can be used with a switched AUX cable, which is passively safe up to SIL3/PLe	yes ⁽³⁾
Operating altitude	max. 2000 m
Ambient temperature	-30 °C ... +70 °C ⁽⁴⁾
Storage temperature	-25 °C ... +85 °C
Housing	plastic, for screw mounting, suitable for cable ducts (depth ≥ 19 mm)
Pollution Degree	2
Protection category	IP67
Tolerable loading referring to humidity	acc. to EN 61131-2
Maximum tolerable shock and vibration stress	≤15g, T≤11 ms 10 ... 55 Hz, 0,5 mm amplitud
Insulation voltage	≥500 V
Weight	75 g
Dimensions (W / H / D) in mm	60 / 45 / 19

⁽¹⁾ ±0,005 m manufacturing tolerance

⁽²⁾



⁽³⁾ The passive distributor is suitable for use in passive safe paths as it has no connection to an AUX potential.

⁽⁴⁾ Down to -25 °C with flexibly mounted cable, -30 °C only with fixed mounted cable.



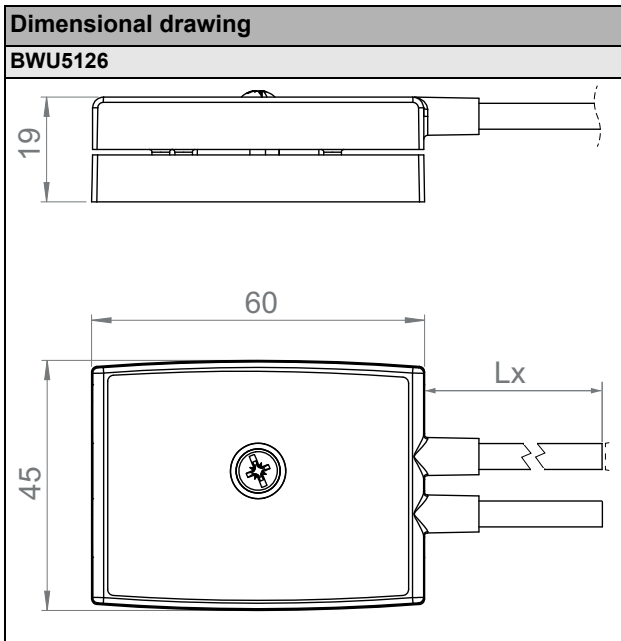
Note

- The use of the ASi-5/ASi-3 Splitter influences the total length of the subsequent ASi-3 segment. For further information, please refer to the details in the installation instructions.
- Please do not connect several ASi-5/ASi-3 splitters in series; no further ASi-5/ASi-3 splitters are permitted in the ASi-3 segment.
- An ASi-5/ASi-3 splitter does not replace an ASi-5 bus termination. If an additional ASi-5 bus termination is necessary it must be placed in the ASi-5 segment.



Note

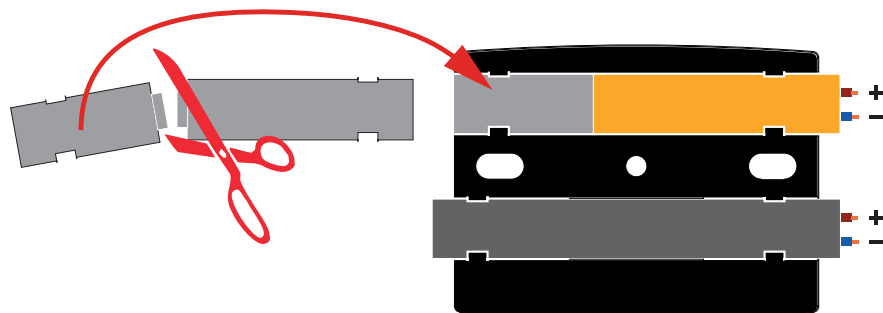
When using one or more ASi-5/ASi-3 splitters, the correct function of the ASi-5/ASi-3 circuit must be checked by means of a release measurement with the Bihl+Wiedemann diagnostic software while the installation is running.



Connections: M12 cable socket

Article No.	M12 connection	Pin1	Pin2	Pin3	Pin4	Pin5
BWU5126	X1	ASi-3+	n.c.	ASi-3-	n.c.	n.c.

Line termination with sealing profile



Accessories:

- Sealing profile IP67 (IDC plug), 60 mm (article no. BW3282)