

Simple assembly concept

- by screw-mounting
- geared to 40 mm profile rail

colored buttons (red/green/blue)



(figure similar)

Figure	Switches/Buttons	Lighted	Mounting method	Article No.
	light button module	red/green, blue	2 holes for screw mounting	BW3476

Article no.	BW3476
General data	
Device type	ASi pushbutton module
Connection	
Connections	M12
ASi	
Profile	S-7.A.7, ID1=7 (fixed)
Address	1 AB address
Required Master Profile	≥M4
Since ASi specification	3.0
Operating voltage	18 ... 31,6 V
Max. current consumption	< 80 mA
Display	
LED (green)	DO2
LED (red)	DO3
LED (blue)	DO0
Robustness	
Robustness	–
Shock resistance	acc. EN 60068-2-27
Vibration resistance	acc. EN 60068-2-6
Environmental stability	acc. EN 60068-2
UL-specifications (UL508)	
External protection	An isolated PELV/SELV voltage source of ≤30 V _{DC} has to be protected by a 3 A maximum over current protection. Over current protection is not required when a Class 2 source is employed.
In general	UL mark does not provide UL certification for any functional safety rating or aspects of the above devices.

Article no.	BW3476
Environment	
Applied standards	EN 61 000-6-2 EN 61 000-6-4 EN 62026-2 EN 60529
Operating altitude	max. 2000 m
Ambient temperature	0 °C ... +70 °C
Storage temperature	-25 °C ... +85 °C
Protection category (EN 60529)	IP54
Mounting method	rail mounting or screws
Contacts	gold contacts, for 100% reliable switching
Contact assignment	normally opened contact, per button 1 normally opened contact
Shock resistance min.	100 N
Mushroom diameter	–
Life cycle min. (switching cycle)	1.000.000
Dimensions (W / H / D in mm)	123 / 42 / 38

BW3476:

		DO3	DO2	DO1	DO0	DI1	DI0
Button above		red	green	–	–	•	–
Button below		–	–	–	blue	–	•

Pin assignment

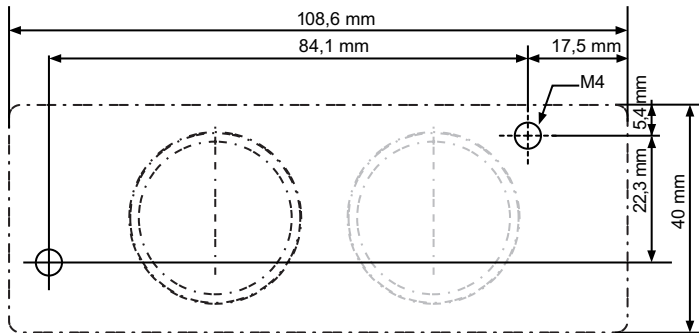
Connections					
Article no.	Pin1	Pin2	Pin3	Pin4	
BW3476	ASi+	n.c.	ASi-	n.c.	

Dimensions:

BW3476	

Drilling pattern for direct mounting via screws

BW3476



As an alternative to the metal clip mounting, the substructure part of the housing can also be screwed on directly. Recommendation: M4 screws (mounting hole diameter: 4.6 mm).

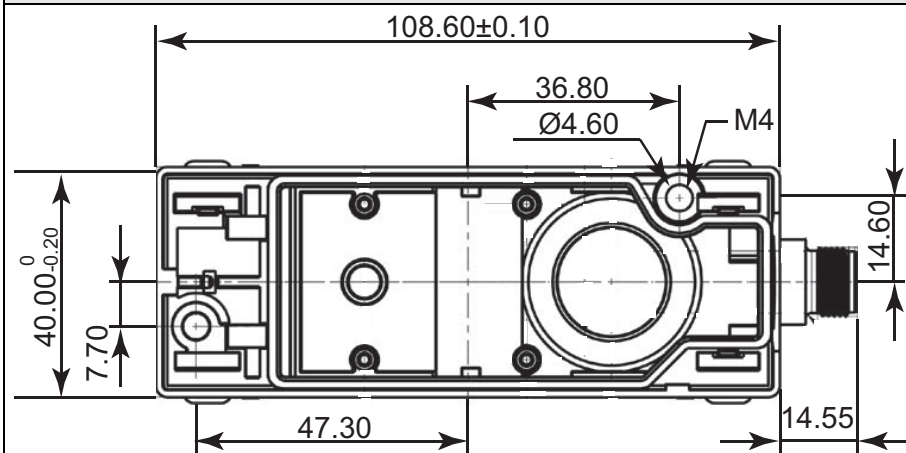
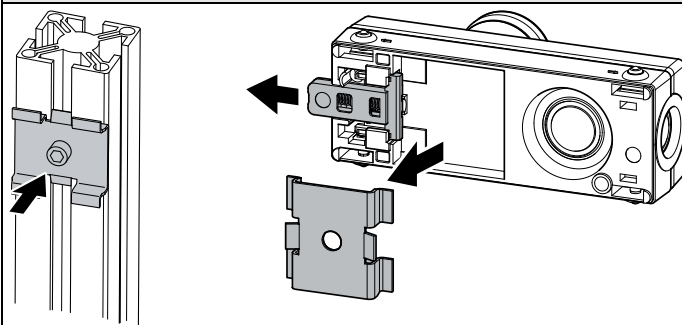


Image for rail mounting:

BW3476



Accessories:

- Passive Distributor ASi, housing depth 30 mm, IP67, connection for 1 x ASi profile cable to 1 x M12 socket, 5 poles (art. no. BWU1239)
- Passive Distributor ASi/AUX, housing depth 28 mm, IP67, connections for 1 x ASi and 1 x AUX profile cables to 1 x M12 socket, 5 poles (article no. BW3803)
- ASi-5/ASi-3 Address Programming Device (art. no. BW4925)