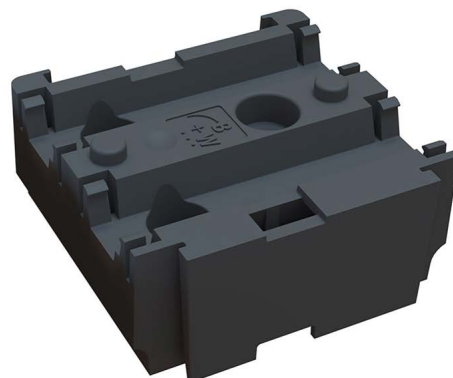


Mounting aid for ASi/AUX profile cables



(figure similar)

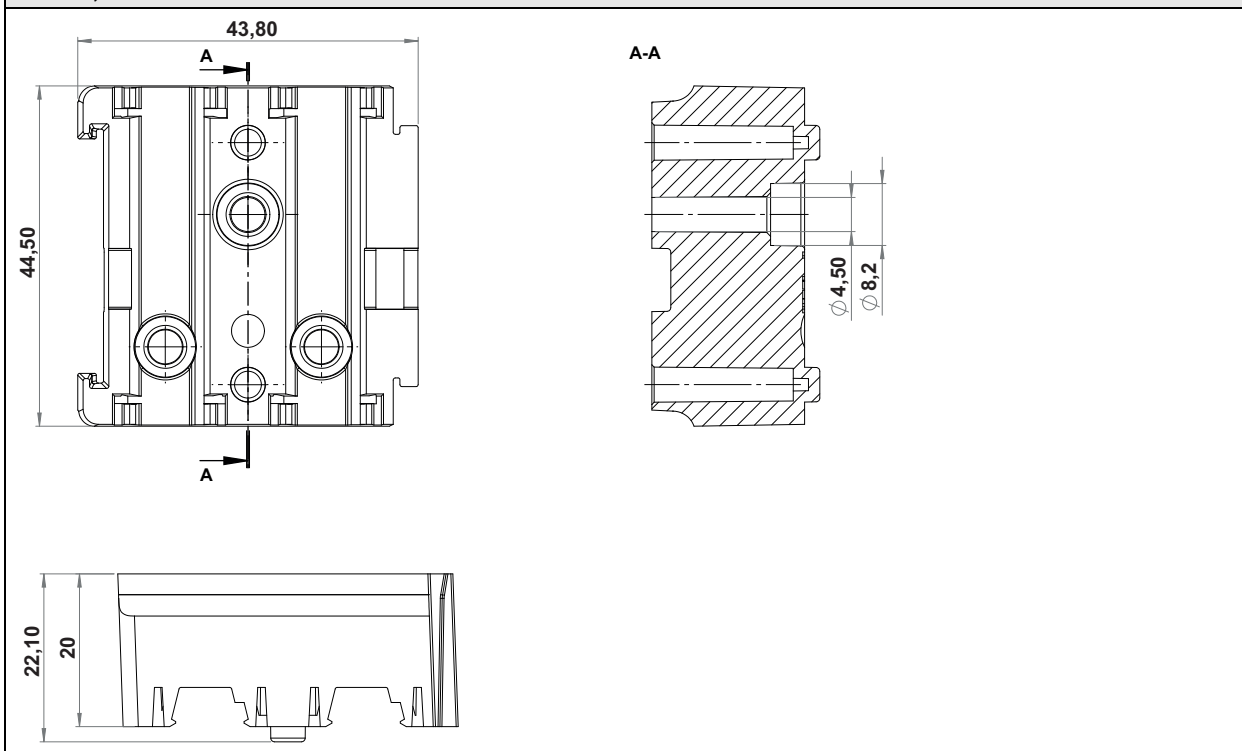
With the **mounting aid**, the ASi and AUX profile cables can be laid in standard cable ducts in an orderly manner. Several mounting aids can be plugged together vertically or horizontally. The

profile cables and mounting aids can be fixed to the cable duct with a cable tie. Cable ties are not included in the scope of delivery.

Article no.	BW5067	BW5068
Main using	for ASi and AUX profile cables	
Packing unit	5 pieces	25 pieces
Weight	24 g (one piece), ca. 120 g (packing unit)	24 g (one piece), ca. 600 g (packing unit)
Dimensions (W / H / D) in mm	44.5 / 22 / 44	

Dimensional drawings

BW5067, BW5068



Arrangement of the ASi/AUX cables (recommended)

BW5067, BW5068

