

# Brake chopper, 24 V

## Brake chopper for 24 V motorized rollers

tolerated overvoltage up to 35 V



(figure similar)

Figure	Type	Flat design, montage in cable duct possible <sup>(1)</sup>	Internal fuse	Profile cable connection	Connection <sup>(2)</sup>	Round cable <sup>(3)</sup>	Special function	Protection category	Article no.
	Brake chopper	yes, 19 mm deep	thermal fuse (overheating protection through clocking)	1 x AUX	–	–	Brake chopper for 24 V motorized rollers	IP67	<b>BWU4915</b>

**(1) Flat design, installation in cable duct possible**

Modules with a flat housing design and with cables which exit the sides make these ideal for installation in cable ducts, cable channels, cable troughs, cable rails or cable trays. Please note the respective housing depth for your particular installation.

**(2) Connection:** further connection options are available on request.

**(3) Cable:** other cable lengths are available on request.

Article No.	BWU4915
<b>Connection</b>	
Profile cable connection	1 x AUX profile cable and piercing technology
Connection	–
Round cable	–
<b>Brake Chopper</b>	
Max. Power	122,5 W at 35 V peak power (load resistor 10 Ω) The exact power depends on the voltage <sup>(1)</sup>
Nominal switch-on threshold	27 V <sup>(2)</sup>
Operating voltage	24 V <sub>DC</sub> (10 ... 26,4 V <sub>DC</sub> ) (SELV/PELV)
Max. tolerated overvoltage due to retroaction (AUX)	35 V
Operating current	20 mA <sup>(1)</sup>
Internal fuse	thermal fuse (overheating protection through clocking) <sup>(3)</sup>
<b>Visualization</b>	
LED AUX (green)	on: AUX voltage on profile cable O.K.
LED CHOPPER (yellow)	on: brake chopper active

<b>Article No.</b>	<b>BWU4915</b>
<b>Environment</b>	
Applied standards	EN 60529 EN 61000-6-2 EN 61000-6-3
Operating altitude	max. 2000 m
Ambient temperature	-30 °C ... +55 °C <sup>(4)</sup>
Storage temperature	-25 °C ... +85 °C
Intended environment	for indoor use only
Housing	plastic, for screw mounting, suitable for cable ducts (depth ≥19 mm)
Pollution Degree	3
Protection category	IP67 <sup>(5)</sup>
Overvoltage category	II
Maximum tolerable shock and vibration stress	≤15g, T≤11 ms 10 ... 55 Hz, 0,5 mm Amplitude
Insulation voltage	≥500 V
Weight	58 g
Dimensions (W / H / D) in mm	60 / 45 / 19

(1) The maximum convertible braking energy can be increased by connecting further BWU4915s in parallel.

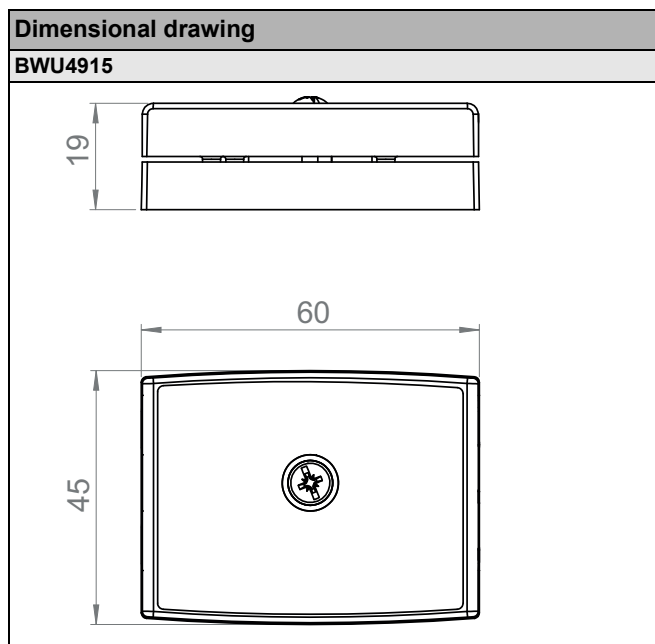
⊗

	<b>Note</b>
	The nominal voltage in regular continuous operation must be below the switch-on threshold.

(3) Duty cycle approx. 2 %, period duration approx. 0.5 s

(4) Down to -25 °C with flexibly mounted cable, -30 °C only with fixed mounted cable.

(5) Manufacturer specification, IP rating not evaluated by UL.



Connections		
Article No.	connection	
BWU4915	AUX	

**Accessories:**

- Sealing profile IP67 (IDC plug), 60 mm (article no. BW3282)
- ASi profile cable (black) for additional auxiliary power, wire section 1,5 mm<sup>2</sup> (art. no. BW1980, BW2757)
- ASi profile cable (black) for additional auxiliary power, wire section 2,5 mm<sup>2</sup> (art. no. BW3169)