

ASi-5 cable duct motor module for 48 V motorized rollers Interroll EC5000 AI

ASi-5 cable duct motor module for 48 V motorized rollers, IP54, M12, 2M/4I

- ASi and AUX per profile cable

New standard ASi-5

suitable for
2 x 48 V motorized rollers Interroll EC5000 AI
with 20 W/35 W/50 W

Cyclic writing of speed and ramps possible


4 x digital inputs for sensor connection

Protection category IP54



(figure similar)



Figure	Drive ⁽¹⁾	Number of drives	Line protection fuse ⁽²⁾	Inputs digital	Input voltage (sensor supply) ⁽³⁾	Output voltage (actuator supply) ⁽⁴⁾	Connection	ASi connection ⁽⁵⁾	Article No.
	Interroll	2	yes, separately for each motor, 4,0 A (slow-blow fuse)	4	out of ASi and AUX (48 V)	out of AUX (48 V)	2 x M8 Snap-in cable sockets, straight, 5 poles, 2 x M8 cable sockets, straight, 5 poles	ASi profile cable	BWU4726

(1) Drive:

Under certain circumstances also suitable for control of motorized rollers from other manufacturers with the same technical data. Please compare the manufacturer's specifications with the current values and the pin assignment of the motor module.

(2) Line protection fuse:

In the motor module UL approved fuses are placed before each of the motor supply connections. A short circuit in the motor causes this fuse to blow, protecting the connection cable between the module and motor.

After blowing the not exchangeable fuse the module is no longer functional and the module needs to be replaced. The characteristics of the fuse must be checked against the motor data before using the module.

The protection circuit in the module allows a very simple protection of the motor cables. The fuse for the cable protection is a slow-blow one; without short circuit the robust behavior of the module remains.

(3) Input voltage (sensor supply):

Inputs are supplied by ASi or by AUX (auxiliary 24 V power). If supplied by ASi, inputs shall not be connected to earth or to external potential.

(4) Output voltage (actuator supply):

Outputs are supplied by ASi or by AUX (auxiliary 24 V power). If supplied by ASi, outputs shall not be connected to earth or to external potential.

(5) ASi connection:

The connection to ASi as well to AUX (auxiliary 24 V power) is made via yellow resp. black ASi profile cable with piercing technology or via M8 socket.

ASi-5 cable duct motor module for 48 V motorized rollers Interroll EC5000 AI


Article no.		BWU4726
General data		
Motorized rollers		2 x Interroll (EC5000 AI, 48V, 20 W/35 W/50 W)
Connection		
ASi/AUX connection		profile cable and piercing
Periphery connection		M:2 x M8 Snap-in cable sockets, straight, 5 poles I:2 x M12 cable sockets, straight, 5 poles, Y wiring
Cable (L in m)		L1 (I3/I4): 1,5 L2 (I1/I2): 1,5 L3 (M2/ERR2): 1,0 L4 (M1/ERR1): 1,0 max. allowed tensile strain 10 N
ASi		
Address		1 ASi-5 address
Required ASi specification of master		ASi-5
Operating voltage		30 V (18 ... 31.6 V)
Max. current consumption		200 mA
AUX		
Voltage		48 V _{DC} (45 ... 51 V) ⁽²⁾
Max. current consumption		at 20 W: 1,4 A continuously, 3,0 A peak at 35 W: 2,4 A continuously, 5,6 A peak at 50 W: 3,4 A continuously, 7,6 A peak
Input		
Number		4 x sensor inputs + 2 x motor fault inputs
Power supply		sensor inputs: out of ASi motor fault inputs: out of AUX (48 V) ⁽²⁾
Power supply of attached sensors	up to +40 °C	120 mA ⁽³⁾
	at +55 °C	80 mA ⁽³⁾
	at +70 °C	40 mA ⁽³⁾
Switching threshold		U _{in} < 5 V (low) U _{in} > 10 V (high)
Output		
Number		2
Power supply		out of AUX (48 V) ⁽²⁾ (galvanic separation)
Overload voltage tolerated by reaction (AUX)		60 V-resistant brake chopper compatible
Max. output current		10 mA per output
Supply of motors		out of AUX (48 V) ⁽²⁾
Max. current for motor supply	up to +40 °C	per motor: 1,7 A continuously ⁽⁴⁾
	at +55 °C	per motor: 1,35 A continuously ⁽⁴⁾
	at +70 °C	per motor: 1,0 A continuously ⁽⁴⁾
Line protection fuse		yes, separately for each motor, 4,0 A, at 8 A (200%) release between 1 s and 120 s, fuse UL certified ⁽⁵⁾

ASi-5 cable duct motor module for 48 V motorized rollers Interroll EC5000 AI

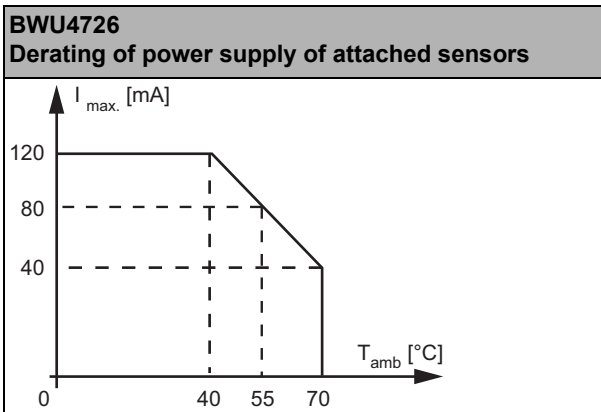
Article no.	BWU4726
Display	
LED ASi (green)	on: ASi voltage on off: no ASi voltage
LED FLT/FAULT (red)	on: no data exchange flashing: peripheral fault ⁽⁶⁾ off: data exchange ok
LED AUX (green)	on: 48 V _{DC} AUX off: no 48 V _{DC} AUX
LEDs I1 ... I4 (yellow)	state of inputs I1 ... I4
LEDs M1, M2 (yellow)	state of motors M1, M2 on: motor on off: motor off
LEDs ERR1, ERR2 (red) ⁽¹⁾	on: fuse at motor M1, M2 is blown ⁽⁶⁾ flashing: Motor M1, M2 is signaling fault condition or is not connected to the module ⁽⁶⁾
Environment	
Applied standards	EN 61000-6-2, EN 61000-6-4, EN 60529 EN 61131-2
It can be used with a switched AUX cable, which is passively safe up to SIL3/PLe	yes ⁽⁷⁾
Operating altitude	max. 2000 m
Operating temperature	-30 °C ... +70 °C ⁽³⁾ ⁽⁴⁾
Storage temperature	-25 °C ... +85 °C
Housing	plastic, for screw mounting,
Protection category	IP54
Tolerable loading referring to humidity	according to EN 61131-2
Max. tolerable shock load and vibration stress	≤15g, T≤11 ms 10 ... 55 Hz, 0,5 mm amplitude
Isolation voltage	≥ 500 V
Weight	approx. 205 g
Dimensions (W / H / D in mm)	130 / 60 / 18

(1) The ERR LED is not controlled when the motor ports are deactivated

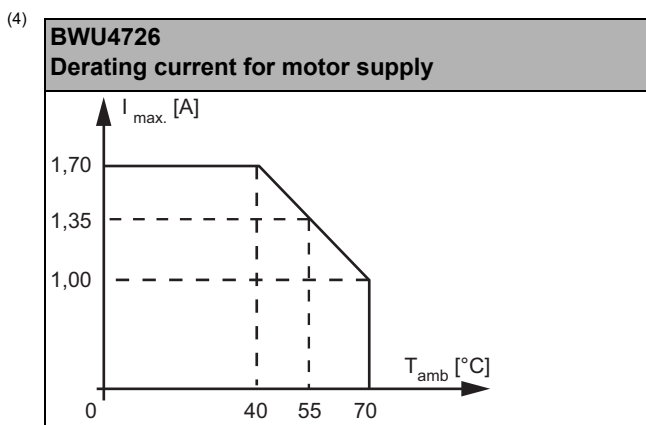
(2)

	Notice
	48 V _{DC} must not be connected to: device with 24 V _{DC} operating voltage (see data sheet of the manufacturer) <ul style="list-style-type: none"> • the ASi connection of the device • the ASi gateway

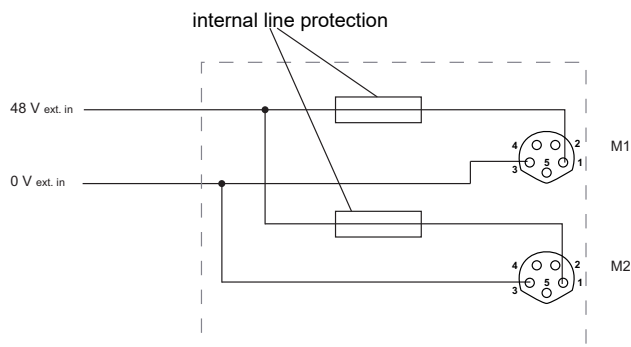
(3)



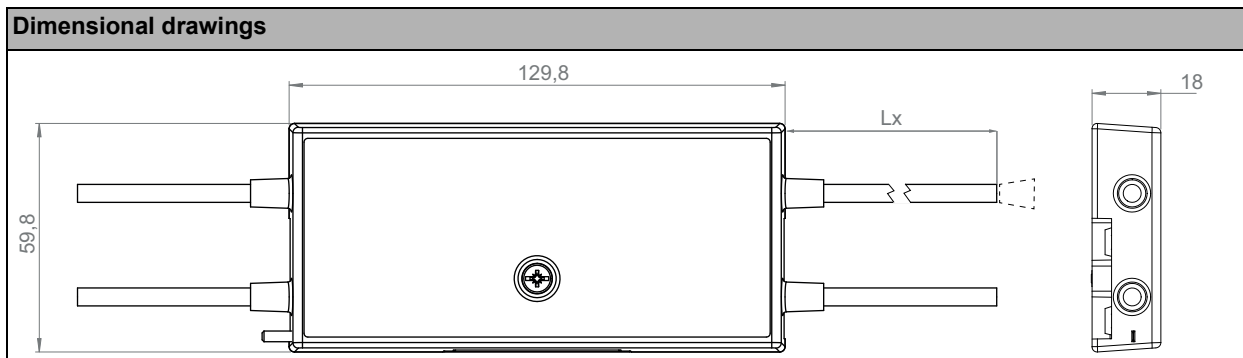
ASi-5 cable duct motor module for 48 V motorized rollers Interroll EC5000 AI



- (5) In the motor module UL approved fuses are placed before each of the motor supply connections. A short circuit in the motor causes this fuse to blow, protecting the connection cable between the module and motor. After blowing the not exchangeable fuse the module is no longer functional and the module needs to be replaced. The characteristics of the fuse must be checked against the motor data before using the module.
The protection circuit in the module allows a very simple protection of the motor cables. The fuse for the cable protection is a slow-blow one; without short circuit the robust behavior of the module remains.



- (6) **see table "Peripheral fault indication".**
- (7) An exclusion of errors for the connection of the two potentials ASi and AUX can be assumed in the module. Passive safety for the application can only be achieved if this is fulfilled for all components used.



Article no.	Peripheral fault indication			
	Overload output	AUX voltage missing	Overload sensor supply	at least 1 motor fuse is blown or 1 motor in fault condition or is not connected to the module
BWU4726	•	•	•	•

ASi-5 cable duct motor module for 48 V motorized rollers Interroll EC5000 AI

Programming (ASi bit assignment)

Article no.	Byte	bit							
		D7	D6	D5	D4	D3	D2	D1	D0
		input							
BWU4726	0	Fuse M2	Fuse M1	Error M2 ⁽¹⁾	Error M1 ⁽¹⁾	I4	I3	I2	I1
	1	reserved	Temperature Error	Voltage Error	reserved			Error M2 (alternative) ^{(1) (2)}	Error M1 (alternative) ^{(1) (2)}
	2	AUX- voltage (mV), high byte, UINT16							
	3	AUX- voltage (mV), low byte, UINT16							

⁽¹⁾ The motor ports can be deactivated individually using the software ASIMON360 (BW2916) or ASi Control Tools360 (BW2902).

⁽²⁾ Alternative to byte 0 bit D5 + D4. Functionally and contentwise the same.

Article no.	Byte	bit							
		D7	D6	D5	D4	D3	D2	D1	D0
		output							
BWU4726	0	Speed M1 ⁽¹⁾ (speed motor 1) (- 100 ... 0 ... 100 %), INT8							
	1	Speed M2 ⁽¹⁾ (speed motor 2) (- 100 ... 0 ... 100 %), INT8							
	2	ramp M1 (0 ... 25,5 s), UINT8 ⁽²⁾							
	3	ramp M2 (0 ... 25,5 s), UINT8 ⁽²⁾							

⁽¹⁾ The motor ports can be deactivated individually using the software ASIMON360 (BW29) or ASi Control Tools360 (BW2902).

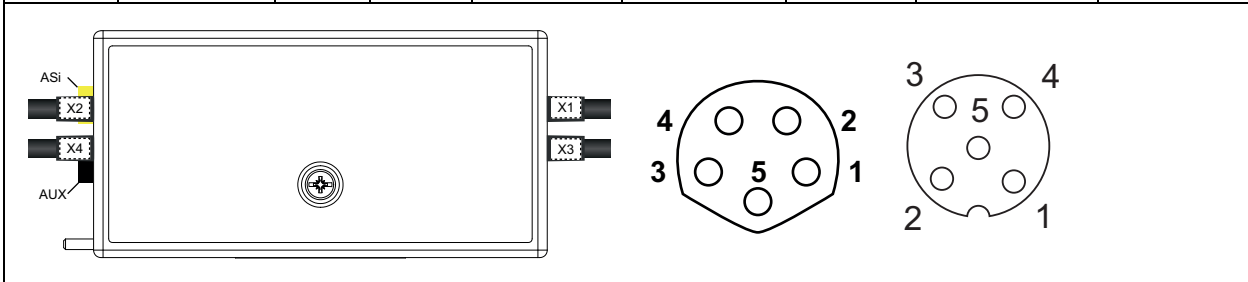
⁽²⁾ Time for setpoint step by $\pm 100\%$ (acceleration, deceleration)

Pin assignment

Signal name	Explanation
Ix	digital input x
CW Mx	direction of rotation of motor x
Error Mx	error at motor x
Speed Mx	speed of motor x
48 V _{ext out}	power supply, out of external voltage, positive pole (AUX, actuator supply)
0 V _{ext out}	power supply, out of external voltage, negative pole (AUX, actuator supply)
ASi+, ASi-	connection to ASi bus
24 V _{out of ASi}	power supply, out of ASi, positive pole (sensor supply)
0 V _{out of ASi}	power supply, out of ASi, negative pole (sensor supply)
n.c.	not connected

ASi-5 cable duct motor module for 48 V motorized rollers Interroll EC5000 AI

Connections								
Article no.	M8 connection	Name	Function	Pin1	Pin2	Pin3	Pin4	Pin5
BWU4726	X1	I3/I4	inputs 3+4	24 V _{out} of ASi	I4	0 V _{out} of ASi	I3	n.c.
	X2	I1/I2	inputs 1+2	24 V _{out} of ASi	I2	0 V _{out} of ASi	I1	n.c.
	X3 (1)	M2/ERR2	motor 2	48 V _{ext} out	CW M2	0 V _{ext} out	Error M2	Speed M2
	X4 (1)	M1/ERR1	motor 1	48 V _{ext} out	CW M1	0 V _{ext} out	Error M1	Speed M1



(1)

	Notice
	Incorrect wiring at the motor sockets can cause a device defect.

Accessories:

- ASi Substructure Module in IP67 for cable duct ASi motor modules (art. no. BW4749)
- Magnetic holders for substructure Modules (art. no. BW4779)
- ASi-5/ASi-3 Address Programming Device (art. no. 4925)