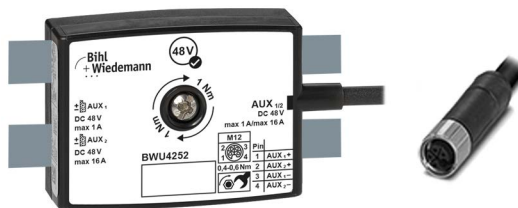


## Passive Distributor AUX

### Connections for 2 x AUX profile cables

- to M12 power cable socket, L-coded



(figure similar)



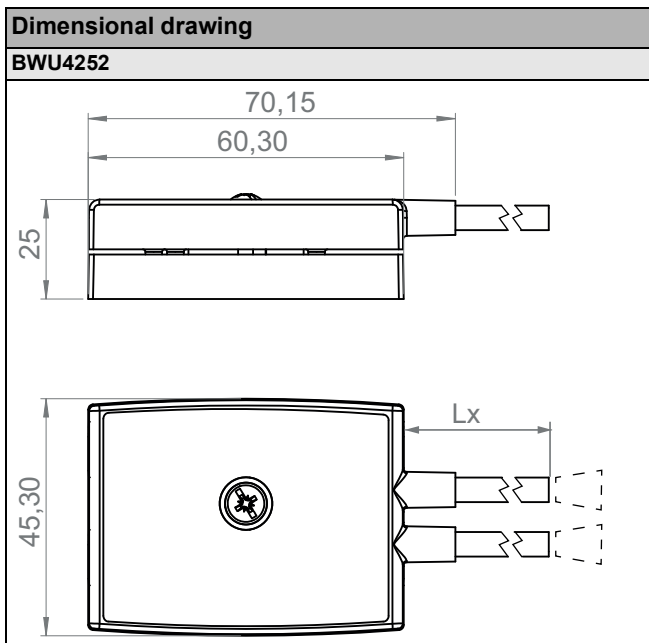
| Figure | Type             | Flat design, montage in cable duct possible <sup>(1)</sup> | Internal fuse <sup>(2)</sup> | Profile cable connection         | Connection <sup>(3)</sup>                              | Round cable <sup>(4)</sup> | Special function | Protection category | Article no.    |
|--------|------------------|--|------------------------------|----------------------------------|--|----------------------------|------------------|---------------------|----------------|
|        | IP67, 25 mm deep | yes, 25 mm deep  | no                           | 2 x AUX (galvanically separated) | 1 x M12 power cable socket, straight, L-coded, 4 poles | 1 m                        | –                | IP67                | <b>BWU4252</b> |

- (1) **Flat design, installation in cable duct possible**  
 Modules with a flat housing design and with cables which exit the sides make these ideal for installation in cable ducts, cable channels, cable troughs, cable rails or cable trays. Please note the respective housing depth for your particular installation.
- (2) **Internal fuse**  
**1 A, self-resetting:** The internal protection is realized via self-resetting 1 A fuses for AUX. At each connection ≤1 A are available.  
**4 A slow-blow fuse:** The internal protection is realized via 4 A slow-blow fuses for AUX U<sub>S</sub> and AUX U<sub>P</sub>. At each connection ≤4 A are available.  
**8 A slow-blow fuse:** The internal protection is realized via 8 A slow-blow fuses for AUX. At each connection ≤8 A are available.
- (3) **Connection:** further connection options are available on request.
- (4) **Cable:** other cable lengths are available on request.

| Article No.                                  | BWU4252  |
|--|--|
| <b>Connection</b>                            |  |
| Profile cable connection                     | 2 x AUX (galvanically separated) profile cable and piercing technology   |
| Connection                                   | 1 x M12 power cable plug, straight, L coded, 4 poles   |
| Round cable                                  | 1 m<br>max. allowed tensile strain 10 N  |
| Operating voltage                            | AUX1: 48 V <sub>DC</sub> (33 ... 52 V <sub>DC</sub> ) PELV <sup>(1)</sup><br>AUX2: 48 V <sub>DC</sub> (33 ... 52 V <sub>DC</sub> ) PELV <sup>(1)</sup> |
| Operating current                            | AUX1 max. 1 A<br>AUX2 max. 16 A  |
| Internal fuse                                | no   |
| <b>Environment</b>                           |  |
| Applied standards                            | EN 60529<br>EN 61000-6-2<br>EN 61000-6-3   |
| Operating altitude                           | max. 2000 m  |
| Ambient temperature                          | -30 °C ... +70 °C  |
| Storage temperature                          | -25 °C ... +85 °C  |
| Housing                                      | plastic, for screw mounting, suitable for cable ducts (depth ≥25 mm)   |
| Pollution Degree                             | 2  |
| Protection category                          | IP67   |
| Maximum tolerable shock and vibration stress | ≤15g, T≤11 ms<br>10 ... 55 Hz, 0,5 mm Amplitude  |
| Insulation voltage                           | ≥500 V   |
| Weight                                       | 75 g   |
| Dimensions (W / H / D) in mm                 | 60 / 45 / 25   |

|  |   |
|--|---|
|  | <b>Notice</b>   |
|  | <p>48 V<sub>DC</sub> <b>must not</b> be connected to:</p> <ul style="list-style-type: none"> <li>device with 24 V<sub>DC</sub> operating voltage (see data sheet of the manufacturer)</li> <li>the ASi connection of the device</li> <li>the ASi gateway</li> </ul> |

|  |  |
|--|--|
|  | <b>Notice</b>  |
|  | <p>After each opening of the module, such as after replacing a fuse, check for proper function and correct placement of the seals.</p> <p>Dirt, damage and/or shifting of the seals can compromise protection of the module against solid particles and liquids so that the specified protection category is no longer guaranteed.</p> |



| Connections: M12 power cable socket, L-coded |                |       |       |       |       |
|--|----------------|-------|-------|-------|-------|
| Article No.                                  | M12 connection | Pin1  | Pin2  | Pin3  | Pin4  |
| BWU4252                                      | X1             | AUX1+ | AUX2+ | AUX1- | AUX2- |

AUX1-

AUX2-

**Accessories:**

- Sealing profile IP67 (IDC plug), 60 mm (article no. BW3282)
- AUX 48 V profile cable, EPDM, gray, 2 wires, 2.5 mm<sup>2</sup>, 100 m (article no. BW4243)