

ASi Safety I/O Module, IP67, M12, 6-8SI/2SO/16I/16O

ASi Safety I/O-Module

up to 8 x 2 channel safe inputs (depending on configuration),

adjustable for floating contacts, OSSDs, antivalent OSSDs or complementary switches resp. as standard inputs and standard outputs

and

up to 2 release circuits (up to 2 x electronic safe outputs) (depending on configuration)

Memory Plug

protection category IP67



(Figure similar)



Figure	Inputs Safety, SIL 3, cat. 4	Safety signal inputs	Outputs Safety, SIL 3, cat. 4	Input voltage (sensor supply.) ⁽¹⁾	Output voltage (actuator supply.) ⁽²⁾	ASi connection ⁽³⁾	ASi address ⁽⁴⁾	Article no.
	6-8 x 2 channels; depending on configuration	floating contacts, OSSDs, antivalent OSSDs, complementary switch	up to 2 release circuits; up to 2 x electronic safe outputs; depending on configuration	out of ASi	out of ASi	ASi profile cable	depending on configuration	BW3489
	6-8 x 2 channels; depending on configuration	floating contacts, OSSDs, antivalent OSSDs, complementary switch	up to 2 release circuits; up to 2 x electronic safe outputs; depending on configuration	out of ASi	out of ASi	ASi using M12	depending on configuration	BW3499

- (1) **Input voltage (sensor supply):** inputs are supplied by ASi or by AUX (auxiliary 24 V power). If supplied by ASi, inputs shall not be connected to earth or to external potential.
- (2) **Output voltage (actuator supply):** outputs are supplied by ASi or by AUX (auxiliary 24 V power). If supplied by ASi, outputs shall not be connected to earth or to external potential
- (3) **ASi connection:** the connection to ASi as well to AUX (auxiliary 24V power) is either made via yellow resp. black ASi profile cable with piercing technology or via M12 socket (in IP20 via clamps).
- (4) **ASi address:** 1 AB address (max. 62 AB addresses/ASi network), 2 AB addresses (max. 31 modules with 2 AB addresses), Single addresses (max. 31 Single addresses/ASi network), mixed use allowed.
For modules with two ASi nodes the second ASi node is turned off as long as the first ASi node is addressed to address "0".
Upon request, ASi nodes are available with specific ASi address profiles.

ASi Safety I/O Module, IP67, M12, 6-8SI/2SO/16I/16O



Article no.	BW3499	BW3489
Connection		
ASi/AUX connection	M12 ⁽¹⁾	profile cable and piercing technology
Periphery connection	M12	
Length of connector cable	unlimited ⁽²⁾	
ASi		
Profile	safe ASi input nodes: S-7.B.0 (ID1=F) and S-7.B.1 (ID1=F) ASi diagnostic nodes: S-7.A.E (ID1=5) 4I/4O ASi nodes: S-7.E (ID1=F) ASi configuration node: S-7.A.5 (ID1=7)	
Addresses	depending on configuration	
Required Master profile	≥M4	
Since ASi specification	3.0	
Operating voltage	30 V _{DC} (18 ... 31,6 V)	
Max. current consumption	420 mA	
Max. current consumption without sensor/actuator supply	100 mA	
Input		
Number	6-8 x 2 channels safe inputs (SIL3, cat. 4, PLe) up to 16 standard inputs ⁽³⁾	
safety signal inputs	floating contacts, OSSDs, antivalent OSSDs, or complementary switches ^{(3) (4)}	
Switching current	15 mA (T = 100µs), continuously 4 mA at 24 V	
Power supply	out of ASi	
Max. current for OSSD	Σ (In/Out) < 320 mA	
OSSD test pulses	0 ... 50 Hz	
OSSD test pulse width	0 ... 1 ms	
input level	10 mA, R < 150 Ω	
Clock outputs for floating contacts / antivalent switches	1 test pulse per clock output per second, pulse duration approx. 1 ms	
Output		
Number	up to 2 release circuits; up to 2 x electronic safe outputs ⁽³⁾ up to 16 standard outputs ⁽³⁾	
Power supply	out of ASi	
Max. output current	Σ (In/Out/Pin5) < 320 mA max. 100 mA for Diag. Out/Clock/Reset (Pin5), Σ (Pin5) < 100 mA	
Test pulse	if output is on: minimum interval between 2 test pulses: 250 ms, pulse width: 2 ms	
Display		
LEDs S11/S12 ... S81/S82 (yellow)	state of safe input channels S11/S12 ... S81/S82 ⁽³⁾	
LED SO1, SO2 (yellow)	state of safe outputs SO1, SO2 ⁽³⁾	
LED ASI (green)	on: ASi voltage on flashing: ASi voltage on, but peripheral fault ⁽⁵⁾ or address 0 off: no ASi voltage	
LED FLT/FAULT (red)	on: ASi address 0 or node off line flashing: peripheral fault ⁽⁵⁾ off: node on line	
LED MP (green / yellow / red)	off: no memory plug plugged in or memory plug defect green: memory plug plugged in and recognized yellow flashing: copying configuration from memory plug to unconfigured module or from module to empty memory plug red: configuration on memory plug and device different ⁽⁵⁾ or configuration on memory plug incompatible with the device	

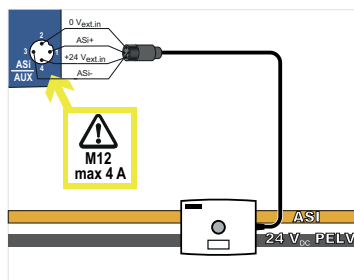
ASi Safety I/O Module, IP67, M12, 6-8SI/2SO/16I/16O

Article no.	BW3499	BW3489
Environment		
Applied standards	EN 61000-2 EN 61000-3 EN 61131-2 EN 62061 EN ISO 13849-1 EN 60529	
It can be used with a switched AUX cable, which is passively safe up to SIL3/PLe	yes ⁽⁶⁾	
Operating altitude	max. 2000 m	
Ambient operating temperature	0 °C ... +55 °C	
Storage temperature	-25 °C ... +85 °C	
Housing	plastic, for screw mounting	
Pollution Degree	2	
Protection category	IP67 ⁽⁷⁾	
Tolerable loading referring to humidity	according to EN 61131-2	
Max. tolerable shock load	30g, 11 ms, acc. EN 61131-2	
Max. tolerable vibration stress	5 ... 8 Hz 50 mm _{pp} /8 ... 500 Hz 6g, acc. EN 61131-2	
Voltage of insulation	≥500 V	
Weight	225 g	
Dimension (W / H / D in mm)	60 / 151 / 46	

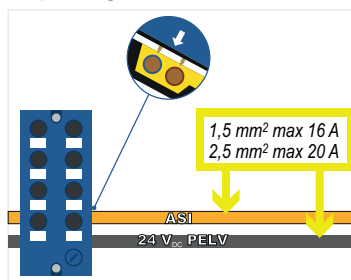
(1) **Line protection:**

If the module is supplied via a M12 connection with A or B coding, it may only be used with a current load of max. 4 A per pin in acc. with IEC 61076-2-101 and IEC 61076-2-109. A fused tap is recommended. There is no such limitation for modules supplied via piercing contacts.

Connection to ASi and AUX
via M12



via piercing contacts



(2) loop resistance ≤150 Ω

(3) siehe "Configuration options of connections of BW3489, BW3499"

(4) BW3489: antivalent OSSDs from Ident. No. ≥21434

BW3499: antivalent OSSDs from Ident. No. ≥21436

(5) See table "Peripheral fault indication"

(6) The module is suitable for use in passively safe paths as it has no connection to an AUX potential.

(7) IP67 can only be achieved if all open M12 sockets are sealed with suitable protection caps (see accessories).

ASi Safety I/O Module, IP67, M12, 6-8SI/2SO/16I/16O

Article no.	Peripheral fault indication			
	Cross connection	Overload output	AUX voltage missing	configuration on memory plug and device different
BW3489	•	•	-	•
BW3499	•	•	-	•

UL-specifications (UL 61010) BW3489, BW3499	
External protection	An isolated source with a secondary open circuit voltage of $\leq 30 V_{DC}$ with a 3 A maximum over current protection. Over current protection is not required when a Class 2 source is employed.
In general	UL mark does not provide UL certification for any functional safety rating or aspects of the above devices.

Configuration options of connections of BW3489, BW3499

Connection	Safe electronic output	2 channels safe input			2 standard inputs / 2 standard output
		for floating contacts	for complementary switches	for OSSDs	
S11/S12	-	•	•	•	•/• ⁽¹⁾
S21/S22	-	•	•	•	•/•
S31/S32	-	•	•	•	•/•
S41/S42	-	•	•	•	•/•
S51/S52	-	•	•	•	•/•
S61/S62	-	•	•	•	•/•
SO1 ⁽²⁾ ; S71/S72	•	•	•	•	•/•
SO2 ⁽²⁾ ; S81/S82	•	•	•	•	•/•

(1) The safe output of node 1 can be configured as a standard output by setting parameter P0=0.

(2) If outputs are configured as inputs, the input current has to be limited by an external element at ≤ 100 mA

Pin assignment

Signal name	Explanation
Sx1/Sx2	safe input x, configurable for floating contacts or OSSDs, univalent OSSDs, reps. as standard inputs (standard)
Ix	standard input x
Ox	standard output x
SOx	safe electronic output x
T1, T2	clock output
24V _{ext out}	power supply, out of external voltage, positive pole (AUX, actuator supply)
0V _{ext out}	power supply, out of external voltage, negative pole (AUX, actuator supply)
24V _{out of ASi}	power supply, out of ASi, positive pole (sensor supply)
0V _{out of AS-}	power supply, out of ASi, negative pole (sensor supply)
ASi+, ASi-	connection to ASi bus
n.c. (not connected)	not connected

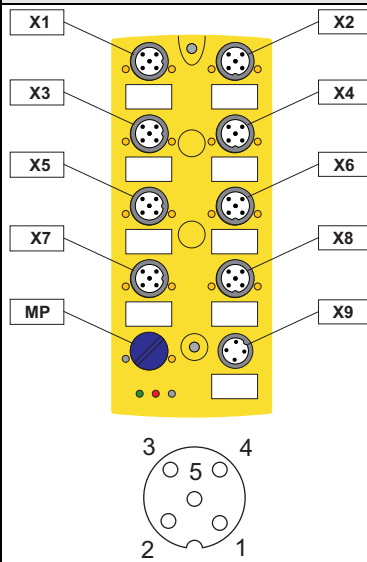
ASi Safety I/O Module, IP67, M12, 6-8SI/2SO/16I/16O

Connections											
Article no.	M12 connect.	Marking	Configuration	Pin1	Pin2	Pin3	Pin4	Pin5			
BW3489	X1	S11/S12	standard.in/ diag.out	O2/ 24 V _{out of ASi}	I2	0 V out of ASi	I1	O1			
			float. cont.	T2	S12	n.c.	S11	T1			
			OSSD	24 V _{out of ASi}	S12	0 V out of ASi	S11	Reset			
	X2	S21/S22	standard.in/ diag.out	O4/ 24 V _{out of ASi}	I4	0 V out of ASi	I3	O3			
			float. cont.	T2	S22	n.c.	S21	T1			
			OSSD	24 V _{out of ASi}	S22	0 V out of ASi	S21	Reset			
	X3	S31/S32	standard.in/ diag.out	O6/ 24 V _{out of ASi}	I6	0 V out of ASi	I5	O5			
			float. cont.	T2	S32	n.c.	S31	T1			
			OSSD	24 V _{out of ASi}	S32	0 V out of ASi	S31	Reset			
	X4	S41/S42	standard.in/ diag.out	O8/ 24 V _{out of ASi}	I8	0 V out of ASi	I7	O7			
			float. cont.	T2	S42	n.c.	S41	T1			
			OSSD	24 V _{out of ASi}	S42	0 V out of ASi	S41	Reset			
	X5	S51/S52	standard.in/ diag.out	O10/ 24 V _{out of ASi}	I10	0 V out of ASi	I9	O9			
			float. cont.	T2	S52	n.c.	S51	T1			
			OSSD	24 V _{out of ASi}	S52	0 V out of ASi	S51	Reset			
	X6	S61/S62	standard.in/ diag.out	O12/ 24 V _{out of ASi}	I12	0 V out of ASi	I11	O11			
			float. cont.	T2	S62	n.c.	S61	T1			
			OSSD	24 V _{out of ASi}	S62	0 V out of ASi	S61	Reset			
	X7	SO1	safety out	n.c.	SO1-	0 V out of ASi	SO1+	n.c.			
			standard.in/ diag.out	O14/ 24 V _{out of ASi}	I14	0 V out of ASi	I13	O13			
			float. cont.	T2	S72	n.c.	S71	T1			
			OSSD	24 V _{out of ASi}	S72	0 V out of ASi	S71	Reset			
	X8	SO2	safety out	n.c.	SO2-	0 V out of ASi	SO2+	n.c.			
			standard.in/ diag.out	O16/ 24 V _{out of ASi}	I16	0 V out of ASi	I15	O15			
			float. cont.	T2	S82	n.c.	S81	T1			
			OSSD	24 V _{out of ASi}	S82	0 V out of ASi	S81	Reset			
	ADDR	connection for ASi-3 addressing plug (protection cap)									
	MP	memory plug (protection cap)									

ASi Safety I/O Module, IP67, M12, 6-8SI/2SO/16I/16O



Connections									
Article no.	M12 connect.	Marking	Configuration	Pin1	Pin2	Pin3	Pin4	Pin5	
BW3499	X1	S11/S12	standard.in/ diag.out	O2/ 24 V _{out of ASi}	I2	0 V out of ASi	I1	O1	X1
			float. cont.	T2	S12	n.c.	S11	T1	X2
			OSSD	24 V _{out of ASi}	S12	0 V out of ASi	S11	Reset	X3
	X2	S21/S22	standard.in/ diag.out	O4/ 24 V _{out of ASi}	I4	0 V out of ASi	I3	O3	X5
			float. cont.	T2	S22	n.c.	S21	T1	X6
			OSSD	24 V _{out of ASi}	S22	0 V out of ASi	S21	Reset	X7
	X3	S31/S32	standard.in/ diag.out	O6/ 24 V _{out of ASi}	I6	0 V out of ASi	I5	O5	X5
			float. cont.	T2	S32	n.c.	S31	T1	X6
			OSSD	24 V _{out of ASi}	S32	0 V out of ASi	S31	Reset	X7
	X4	S41/S42	standard.in/ diag.out	O8/ 24 V _{out of ASi}	I8	0 V out of ASi	I7	O7	X5
			float. cont.	T2	S42	n.c.	S41	T1	X6
			OSSD	24 V _{out of ASi}	S42	0 V out of ASi	S41	Reset	X7
	X5	S51/S52	standard.in/ diag.out	O10/ 24 V _{out of ASi}	I10	0 V out of ASi	I9	O9	X5
			float. cont.	T2	S52	n.c.	S51	T1	X6
			OSSD	24 V _{out of ASi}	S52	0 V out of ASi	S51	Reset	X7
	X6	S61/S62	standard.in/ diag.out	O12/ 24 V _{out of ASi}	I12	0 V out of ASi	I11	O11	X5
			float. cont.	T2	S62	n.c.	S61	T1	X6
			OSSD	24 V _{out of ASi}	S62	0 V out of ASi	S61	Reset	X7
	X7	SO1	safety out	n.c.	SO1-	0 V out of ASi	SO1+	n.c.	X9
			standard.in/ diag.out	O14/ 24 V _{out of ASi}	I14	0 V out of ASi	I13	O13	X9
			float. cont.	T2	S72	n.c.	S71	T1	X9
			OSSD	24 V _{out of ASi}	S72	0 V out of ASi	S71	Reset	X9
	X8	SO2	safety out	n.c.	SO2-	0 V out of ASi	SO2+	n.c.	X9
			standard.in/ diag.out	O16/ 24 V _{out of ASi}	I16	0 V out of ASi	I15	O15	X9
float. cont.			T2	S82	n.c.	S81	T1	X9	
OSSD			24 V _{out of ASi}	S82	0 V out of ASi	S81	Reset	X9	
X9		ASi	ASi+	n.c.	ASi-	n.c.	-		
MP			memory plug (protection cap)						



ASi Safety I/O Module, IP67, M12, 6-8SI/2SO/16I/16O



Programming instructions (bit assignment of standard I/O nodes)

ASi bit assignment				
Bit	D3	D2	D1	D0
input				
Node 1	I4	I3	I2	I1
Node 2	I8	I7	I6	I5
Node 3	I12	I11	I10	I9
Node 4	I16	I15	I14	I13
output				
Node 1	O4	O3	if P0=1: X8 output: SO2 if P0=0: X1 output: O2	if P0=1: X7 output: SO1 if P0=0: X1 output: O1
Node 2	O8	O7	O6	O5
Node 3	O12	O11	O10	O9
Node 4	O16	O15	O14	O13
parameter bit				
	P3	P2	P1	P0
Node 1	free	free	free	P0=1: SOx can be switch off via the output bit. O2 = +24V; O1 = 0V P0=0: no influence on SOx
Node 2	free	free	free	free
Node 3	free	free	free	free
Node 4	free	free	free	free

Programming instructions (bit assignment of ASi safety input nodes 1...8)

ASi bit assignment				
Bit	D3	D2	D1	D0
input				
safety input nodes	Sx2		Sx1	
output				
	free	if OSSD: reset (Pin 5)	free	free
parameter bit				
	P3	P2	P1	P0
	free	free	free	free

Programming instructions (bit assignment of ASi diagnostic nodes 1 and 2)

ASi bit assignment				
Bit	D3	D2	D1	D0
input				
diagnostic node	I3	diagnostics (see table device colors)		
output				
	free	free	free	O0
parameter bit				
	P3	P2	P1	P0
	free	P2=1: feedback input Ix (x=1, 3) at I3 P2=0: feedback of release conditions at I3	P1=1: not used P1=0: if O0=0, the safe output SOx (n=1, 2) will be switched off, regardless of the release	free

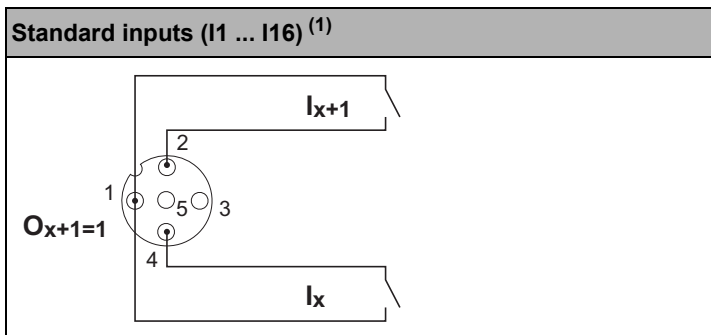
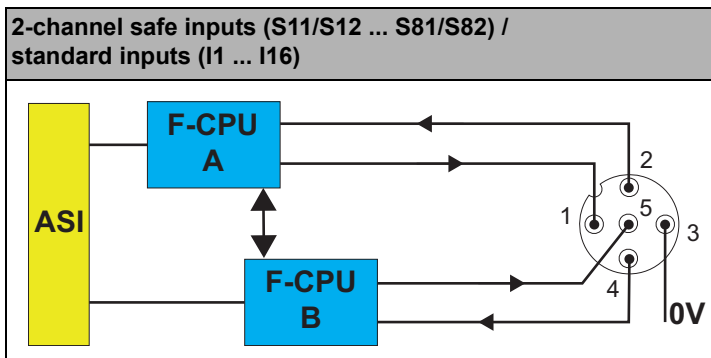
ASi Safety I/O Module, IP67, M12, 6-8SI/2SO/16I/16O

Release conditions

			ASi Standard I/O nodes		
			ASi node 1		
			Parameter P0 = 0	Parameter P0 = 1	
				Bit D _{x-1} = 0	Bit D _{x-1} = 1
ASi diagnostic nodes	ASi node 1 and 2	Parameter P1 = 1	SO _x = release	SO _x = off	SO _x = release
		Parameter P1 = 0	SO _x = release	SO _x = off	SO _x = release
		Bit O0 = 0	SO _x = off	SO _x = off	SO _x = off

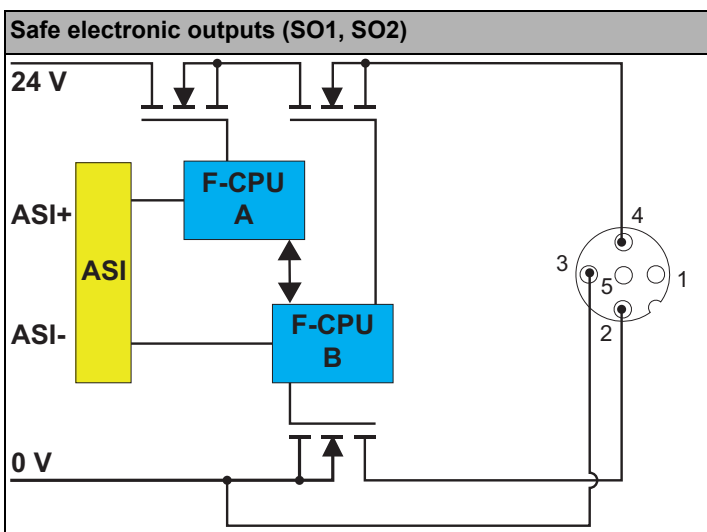
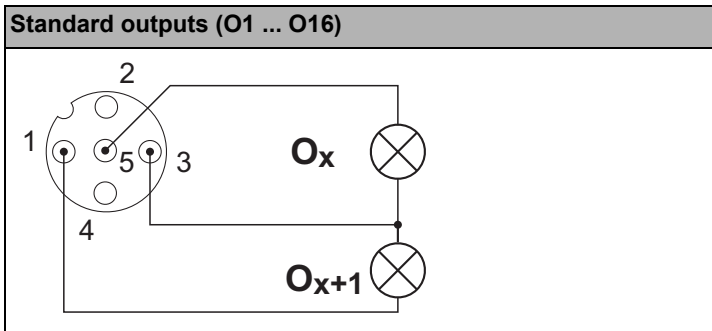
Diagnostics (device colors)

Value	Color	Description	State change	LED SO _x
0	green	output on	–	on
1	green flashing	–	–	–
2	yellow	restart inhibit	auxiliary signal 2	1 Hz
3	yellow flashing	–	–	–
4	red	output off	–	off
5	red flashing	waiting for "reset of error condition" or AUX is missing	auxiliary signal 1 or connect AUX	8 Hz
6	gray	internal error, such as "fatal error"	only via "Power ON" on device	all LEDs flashing
7	green/yellow	output released, but not switched on	switching-on by setting of O0	off



⁽¹⁾ O_{x+1} must remain on so that 24V is present on Pin 1.












ASi Safety I/O Module, IP67, M12, 6-8SI/2SO/16I/16O




LED status display

LED	State	Signal / Description
AUX (green)	⊖	no 24 V _{DC} AUX
	⊕	24 V _{DC} AUX present
ASI (green)	⊖	no ASi voltage
	⊕ 1 Hz	ASi voltage present, but at least one ASi node is addressed „0“ or peripheral fault
	⊕	ASi voltage present
FLT (red)	⊖	ASi communication OK (at least one ASi node on line)
	⊕ 1 Hz	at least one ASi node with peripheral fault
	⊕	no data exchange (with at least one correctly addressed ASi node)
MP (green / yellow / red)	⊖	no memory plug plugged in or memory plug defect
	⊕ 1 Hz	copying configuration from memory plug to unconfigured module or from module to empty memory plug
	⊕	memory plug plugged in and recognized
	⊕	configuration on memory plug and device different or configuration incompatible with the device, user intervention is required.

ASi Safety I/O Module, IP67, M12, 6-8SI/2SO/16I/16O

LED	State	Signal / Description
S11/S12 ... S81/S82 (yellow)		safety input channel is switched off
	 1 Hz	cross-connection
	 8 Hz	internal error or double address
		safety input channel is switched on
SO1, SO2 (yellow)		safety output is switched off
	 1 Hz	restart block, waiting for the start signal to switch on the safety output again
	 8 Hz	unlockable error state; waiting for "reset of error condition signal", after receiving the signal the device turns into normal operation
		safety output is switched on
 LED on  LED flashing  LED off		

	In case all LEDs are blinking simultaneously in fast rhythm a fatal error has been detected. This message is reset by a short disconnection of the power supply (Power ON Reset).
--	---

Accessories for BW3489:

- Bihl-Wiedemann Suite - Safety Software for Configuration, Diagnostics and Programming (art. no. BW2916)
- ASi substructure module (CNOMO) for 8 channel module in 60 mm housing (art. no. BWU2351)
- Memory Plug, memory capacity 32 kByte (art. no. BW3241)
- Universal protection cap ASi-5/ASi-3 for M12 sockets, IP67 (art. no. BW4056)
- Memory plug cover (art. no. BW3155)
- Sealing profile IP67 (IDC plug), 60 mm (art. no. BW3282)
- ASi-5/ASi-3 Address Programming Device (art. no. BW4925)

Accessories for BW3499:

- Bihl-Wiedemann Suite - Safety Software for Configuration, Diagnostics and Programming (art. no. BW2916)
- ASi substructure module (CNOMO) for 8 channel module in 60 mm housing (art. no. BWU2351)
- Memory Plug, memory capacity 32 kByte (art. no. BW3241)
- Universal protection cap ASi-5/ASi-3 for M12 sockets, IP67 (art. no. BW4056)
- Passive Distributor ASi to 1 x M12 cable socket, angled, 5 poles, depth 19 mm, IP67 (art. no. BWU3185)
- Passive Distributor ASi to 1 x M12 cable socket, straight, 5 poles, depth 19 mm, IP67 (art. no. BWU3247)
- Memory plug cover (art. no. BW3155)
- Sealing profile IP67 (IDC plug), 60 mm (art. no. BW3282)
- ASi-5/ASi-3 Address Programming Device (art. no. BW4925)