

1-Channel Input

Profile 7.3 "Plug and Play", as simple as digital ASi I/O

High protection category IP65



Article no. BWU1723: ASi Counter Module

The ASi Counter Module has 1 input for standard sensors.

The module counts the impulses or frequency up- and downwards with the 1 channel and outputs the result as a 16 bit value (-32 768 ... 32 767) via ASi. The start value is -32 768.

With the help of parameters the module can be set to start value as well as the counting direction can be defined.

With parameter P2 the user can choose between counting impulses or frequency measurement.

As long as the ASi parameter P0=0 is set the counting is stopped.

The module reports a peripheral fault at counter overflow (underflow) or when status input is going invalid (low).

Article no	BWU1723
General Data	
Device type	input
Connection	
ASi / AUX connection	profile cable and piercing
Periphery connection	M12
ASi	
Profile	S-7.3.C
Address	1 single address
Required master profile	≥ M3
As of ASi specification	3.0
Operating voltage	30 V _{DC} (18 ... 31,6 V)
Max. current consumption	< 200 mA
AUX	
Operating voltage	24 V _{DC} (18 ... 30 V)
Max. current consumption	700 mA
Input	
Number	1
Counting rate	max. 4 kHz
Range of value	-32768 ... 32767 dec. (start value: -32768)
Power supply	out of external 24 V
Power supply of attached sensors	max. 700 mA out of external 24 V
Display	
LED In (yellow)	state of channel 1
LED PWR (green)	on: ASi voltage o.k.
LED FAULT (red)	ASi communication error, peripheral fault

AS-Interface
Master/Gateways

AS-Interface
Modules/Slaves

Safety components

Bus couplers/
Master Simulators

Accessories

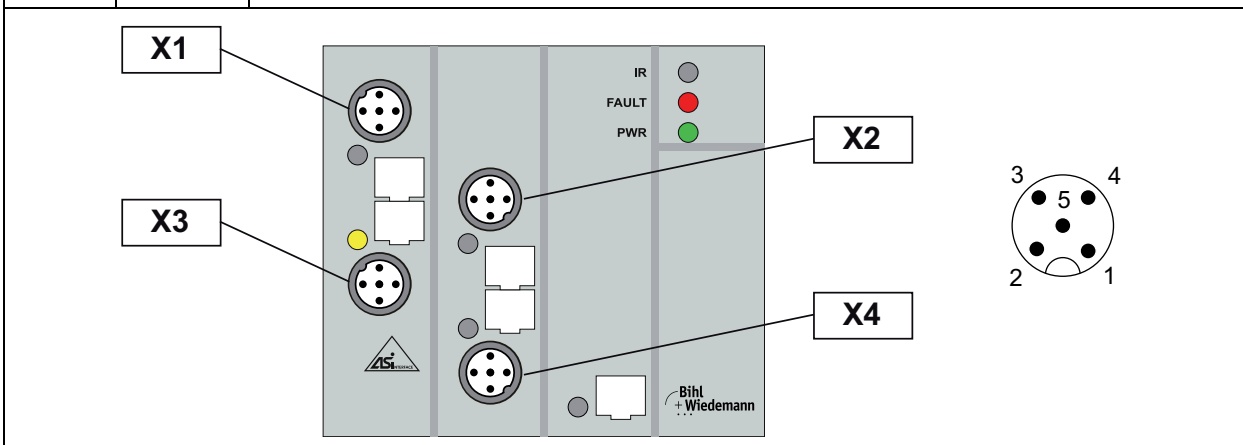
Software

Article no	BWU1723
Environment	
Applied standards	EN 50081-2 EN 61000-6-2
Operating temperature	0°C ... +70°C
Storage temperature	-25°C ... +85°C
Housing	plastic, for DIN rail mounting
Protection category (EN 60529)	IP65
Voltage of insulation	≥ 500 V
Weight	210 g
Dimensions (W / H / D) in mm	90 / 80 / 43

Programming (Bit-setting of ASi parameters)

Bit	P0: Operation (at P2=0)	P1: Gate time	P2: Mode	P3: Counting direction
0	set to start value (-32768)	8 s gate time for frequency	impulse	count downwards
1	normal operation	1 s gate time for frequency	frequency	count upwards

Connections							
Article no.	M12 connection	Marking	Pin1	Pin2	Pin3	Pin4	Pin5
BWU1723	X1			not used			
	X2			not used			
	X3	In (connection counter)	24 V _{ext.}	channel 1 +, pulse/freq. input	0 V _{ext.}	state of input	n.c.
	X4			not used			



Accessories:

- ASi Substructure Modules (art. no. BW1181)
- ASi Substructure Module in IP65, PG (art. no. BW1183)
- ASi-5/ASi-3 Address Programming Device (art. no. BW4708)