

ASi-5/ASi-3 Splitter

Connections for profile cables:

1 x ASi-5/ASi-3 to 1 x ASi-3 (BWU4985)
 • as profile cable branch

1 x ASi-5/ASi-3 (BWU4986)
 • to M8 cable socket, straight, 3 poles

1 x ASi-5/ASi-3 + 1 x AUX (BWU4987)
 • to M12 cable socket, straight, 5 poles

ASi-5 communicates in the frequency range from 1 ... 10 MHz on many frequencies. Interference in the range of 1 ... 10 MHz can affect the ASi-5 communication.

The ASi-5/ASi-3 Splitter suppresses the coupling of interference above 1 MHz and thus protects the ASi-5 communication on the ASi main line.

Only ASi-3 modules should be connected in the subsequent ASi segment after the branch.



(figure similar)



Figure	Profile cable connection	Connection ⁽¹⁾	Internal fuse	Round cable ⁽²⁾	Flat design, montage in cable duct possible	LED	Special function	Article no.
	1 x ASi-5/ASi-3, 1 x ASi-3	profile cable branch	no	–	yes, 19 mm deep	no	ASi-5/ASi-3 Splitter	BWU4985
	1 x ASi-5/ASi-3	1 x M8 cable socket, straight, 3 poles	no	1 m	yes, 19 mm deep	no	ASi-5/ASi-3 Splitter	BWU4986
	1 x ASi-5/ASi-3, 1 x AUX	1 x M12 cable socket, straight, 5 poles	no	2 m	yes, 19 mm deep	no	ASi-5/ASi-3 Splitter	BWU4987

⁽¹⁾ **Connection:** further connection options are available on request.

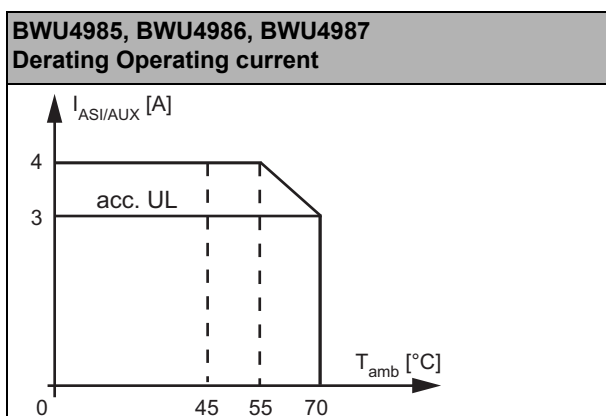
M12 cable socket, angled	M12 cable socket, straight	M8 cable socket, straight	round cable / connecting wires	profile cable branch
PUR line: oil resistant				

⁽²⁾ **Cable:** other cable lengths are available on request.

Article No.	BWU4985	BWU4986	BWU4987
Connection			
Profile cable connection	1 x ASi-5/ASi-3 and 1 x ASi-3 profile cable, piercing technology (internally bridged and interference suppressed)	1 x ASi-5/ASi-3 profile cable, piercing technology	1 x ASi-3, 1 x AUX profile cable, piercing technology
Connection	profile cable branch	1 x M8 cable socket, straight, 3 poles	1 x M12 cable socket, straight, 5 poles
Round cable (L in m) ⁽¹⁾	–	L1: 1,0	L1 (ASi/AUX): 2,0
Operating voltage	10 ... 32 V _{DC} (SELV/PELV)		
Operating current	profile cable, piercing technology (branch): 3 A (up to 4 A ⁽²⁾ for ASi)	3 A (up to 4 A ⁽²⁾) per M8 connection for ASi	3 A (up to 4 A ⁽²⁾) per M12 connection for ASi + 3 A (up to 4 A ⁽²⁾) per M12 connection for AUX
Internal fuse	–		
Environment			
Applied standards	EN 60529 EN 61000-6-2 EN 61000-6-3		
It can be used with a switched AUX cable, which is passively safe up to SIL3/PLe	yes ⁽³⁾		no ⁽⁶⁾
Operating altitude	max. 2000 m		
Ambient temperature	-30 °C ... +70 °C ⁽⁴⁾		
Storage temperature	-25 °C ... +85 °C		
Intended environment	for indoor use only		
Housing	plastic, for screw mounting, suitable for cable ducts (depth ≥19 mm)		
Pollution Degree	3		
Protection category	IP67 ⁽⁵⁾		
Overvoltage category	II		
Tolerable loading referring to humidity	acc. to EN 61131-2		
Maximum tolerable shock and vibration stress	≤15g, T≤11 ms 10 ... 55 Hz, 0,5 mm amplitud		
Insulation voltage	–	≥500 V	
Weight	75 g		
Dimensions (W / H / D) in mm	60 / 45 / 19		

(1) ±0,005 m manufacturing tolerance

(2)



(3) The passive distributor is suitable for use in passive safe paths as it has no connection to an AUX potential.

(4) Down to -25 °C with flexibly mounted cable, -30 °C only with fixed mounted cable.

(5) Manufacturer specification, IP rating not evaluated by UL.

(6) The ASi-5/ASi-3 Splitter is not suitable for use in paths with a passively safe-switched AUX cable, since an exclusion of errors cannot be assumed for the connection of the two ASi and AUX potentials.

If the ASi-5/ASi-3 Splitter is supplied from an unswitched AUX cable, this has no influence on the safety consideration for the paths with passively safe-switched AUX cable. In an ASi circuit, paths supplied from a passively safe-switched AUX cable and paths supplied from unswitched AUX potential can be used together.

UL-specifications (UL61010) BWU4985, BWU4986, BWU4987

External protection	The supply source to these devices shall meet the requirements of Class 2 of NEC, or Limited Energy of UL/CSA 61010-1, -2-201 or Limited Power Source of UL/CSA 60950/62368-1.
---------------------	--



Note

- The use of the ASi-5/ASi-3 Splitter influences the total length of the subsequent ASi-3 segment. For further information, please refer to the details in the installation instructions.
- Please do not connect several ASi-5/ASi-3 splitters in series; no further ASi-5/ASi-3 splitters are permitted in the ASi-3 segment.
- An ASi-5/ASi-3 splitter does not replace an ASi-5 bus termination. If an additional ASi-5 bus termination is necessary it must be placed in the ASi-5 segment.

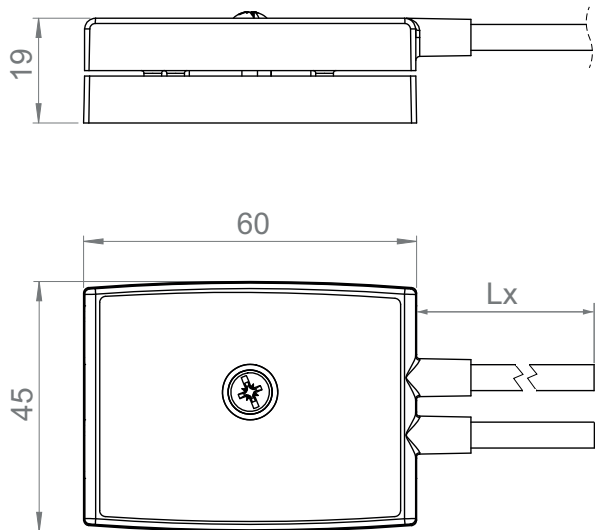


Note

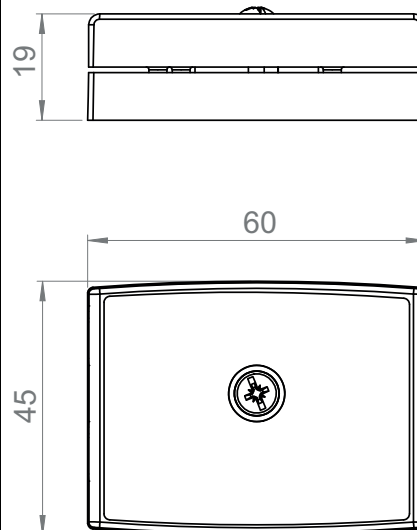
When using one or more ASi-5/ASi-3 splitters, the correct function of the ASi-5/ASi-3 circuit must be checked by means of a release measurement with the Bihl+Wiedemann diagnostic software while the installation is running.

Dimensional drawing

BWU4986, BWU4987

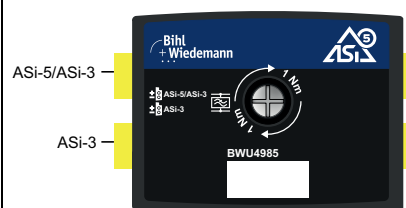
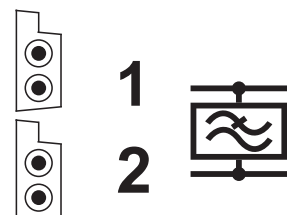


BWU4985



Connections: profile cable branch

BWU4985



ASi-5/ASi-3 Splitter

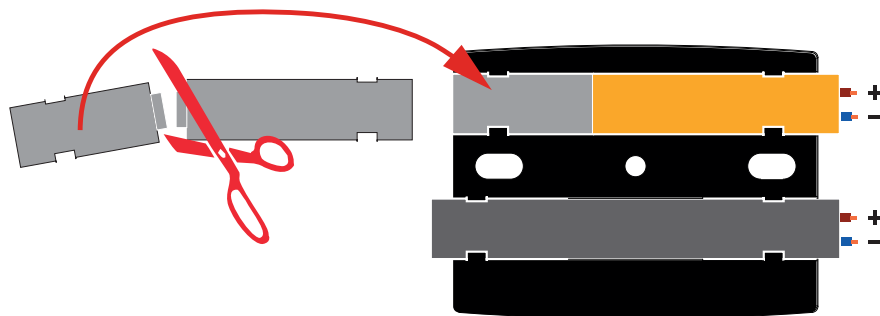
Connections: M8 cable socket

Article No.	M8 connection	Pin1	Pin2	Pin3	Pin4	
BWU4986	X1	ASi-3+	-	ASi-3-	n.c.	

Connections: M12 cable socket

Article No.	M12 connection	Pin1	Pin2	Pin3	Pin4	Pin5	
BWU4987	X1	ASi-3+	AUX-	ASi-3-	AUX+	n.c.	

Line termination with sealing profile



Accessories:

- Sealing profile IP67 (IDC plug), 60 mm (article no. BW3282)