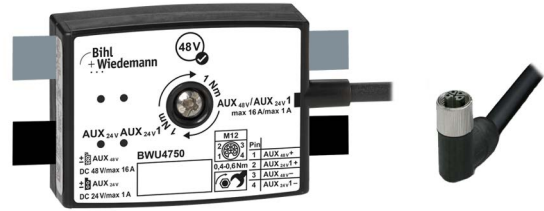


Passive Distributor AUX

Connections for 2 x AUX profile cables to M12 power cable socket, angled, L-coded



(figure similar)



Figure	Type	Flat design, montage in cable duct possible ⁽¹⁾	Internal fuse ⁽²⁾	Profile cable connection	Connection ⁽³⁾	Round cable ⁽⁴⁾	Special function	Protection category	Article no.
	IP67, 25 mm deep	yes, 25 mm deep	AUX _{48V} : no AUX _{24V} : 1 A, self-resetting	2 x AUX (galvanically separated)	1 x M12 power cable socket, angled, L-coded, 4 poles	1 m	–	IP67	BWU4750

(1) **Flat design, installation in cable duct possible**

Modules with a flat housing design and with cables which exit the sides make these ideal for installation in cable ducts, cable channels, cable troughs, cable rails or cable trays. Please note the respective housing depth for your particular installation.

(2) **Internal fuse**

1 A, self-resetting: The internal protection is realized via self-resetting 1 A fuses for AUX. At each connection ≤ 1 A are available.

4 A slow-blow fuse: The internal protection is realized via 4 A slow-blow fuses for AUX U_S and AUX U_P . At each connection ≤ 4 A are available.

8 A slow-blow fuse: The internal protection is realized via 8 A slow-blow fuses for AUX. At each connection ≤ 8 A are available.

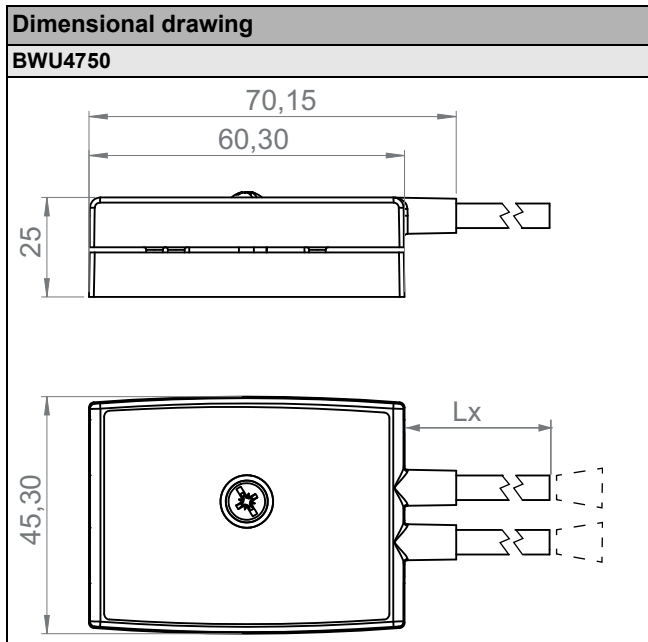
(3) **Connection:** further connection options are available on request.

(4) **Cable:** other cable lengths are available on request.

Article No.	BWU4750
Connection	
Profile cable connection	2 x AUX (galvanically separated) profile cable and piercing technology
Connection	1 x M12 power cable socket, angled, L coded, 4 poles
Round cable	1 m max. allowed tensile strain 10 N
Operating voltage	AUX _{48V} : 48 V _{DC} (33 ... 52 V _{DC}) PELV ⁽¹⁾ AUX _{24V1} : 24 V _{DC} (10 ... 32 V _{DC}) PELV
Operating current	AUX _{48V} : max. 16 A AUX _{24V1} : max. 1 A
Internal fuse	AUX _{48V} : no AUX _{24V1} : 1 x 1 A self-resetting fuse for AUX _{24V1} for each M12 connection
Display	
LED AUX _{24V1} (green)	on: AUX voltage at M12 connection O.K.
LED AUX _{24V} (green)	on: AUX voltage at profile cable AUX _{24V} O.K.
Environment	
Applied standards	EN 60529 EN 61000-6-2 EN 61000-6-3
Operating altitude	max. 2000 m
Ambient temperature	-30 °C ... +70 °C
Storage temperature	-25 °C ... +85 °C
Housing	plastic, for screw mounting, suitable for cable ducts (depth ≥25 mm)
Pollution Degree	2
Protection category	IP67
Maximum tolerable shock and vibration stress	≤15g, T≤11 ms 10 ... 55 Hz, 0,5 mm Amplitude
Insulation voltage	≥500 V
Weight	75 g
Dimensions (W / H / D) in mm	60 / 45 / 25

(1)

	Notice
	<p>48 V_{DC} must not be connected to: device with 24 V_{DC} operating voltage (see data sheet of the manufacturer) the ASi connection of the device the ASi gateway</p>



Connections: M12 power cable socket, L-coded

Article No.	M12 connection	Pin1	Pin2	Pin3	Pin4
BWU4750	X1	AUX _{48V+}	AUX _{24V1+}	AUX _{48V-}	AUX _{24V1-}

Accessories:

- Sealing profile IP67 (IDC plug), 60 mm (article no. BW3282)
- ASI profile cable (black) for additional auxiliary power, wire section 1,5 mm² (art. no. BW1980, BW2757)
- ASI profile cable (black) for additional auxiliary power, wire section 2,5 mm² (art. no. BW3169)