

Cost efficient solution in IP20

New standard ASi-5



(Figure similar)

Figure	Type	Primary application ⁽¹⁾	Inputs digital	Outputs digital	Input voltage (sensor supply) ⁽²⁾	Output voltage (actuator supply) ⁽³⁾	ASi connection ⁽⁴⁾	ASi address ⁽⁵⁾	Article No.
	IP20, 22,5 mm x 114 mm, 6 x 4 contacts, ASi-5	control cabinet	16	–	out of AUX	–	Push-in terminals	1 ASi-5 address	BWU3874
	IP20, 22,5 mm x 114 mm, 6 x 4 contacts, ASi-5	control cabinet	8	–	out of AUX	–	Push-in terminals	1 ASi-5 address	BWU3873
	IP20, 22,5 mm x 114 mm, 6 x 4 contacts, ASi-5	control cabinet	8	8 x elektronik	out of AUX	out of AUX	Push-in terminals	1 ASi-5 address	BWU3872

(1) **Primary Application**

Control cabinet: Cost-optimized modules whereby the supply voltage for the sensors and actuators is connected via additional patch terminals. Optimal application in the main control cabinet.

Decentralized control cabinet: Ideal for use in decentralized control cabinets. 3-wire sensors or actuators can be connected directly to terminals in the module without additional patch terminals or the module has an extremely flat design.

(2) **Input voltage (sensor supply):** inputs are supplied by ASi or by AUX (auxiliary 24 V power). If supplied by ASi, inputs shall not be connected to earth or to external potential.

(3) **Output voltage (actuator supply):** outputs are supplied by ASi or by AUX (auxiliary 24 V power). If supplied by ASi, outputs shall not be connected to earth or to external potential

(4) **ASi connection:** the connection to ASi as well to AUX (auxiliary 24 V power) is made via yellow resp. black ASi profile cable with piercing technology or via M12 socket (in IP20 via clamps).

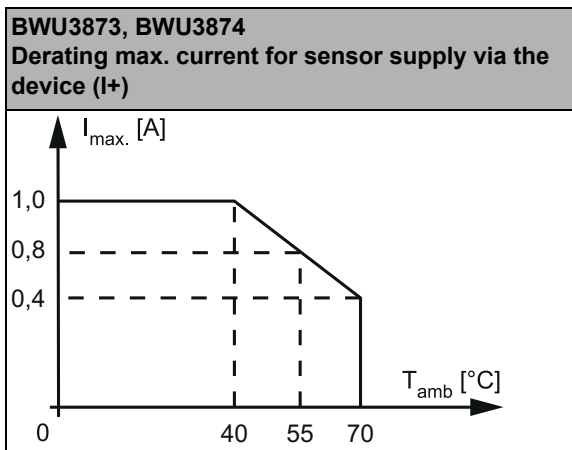
(5) **ASi address:** AB address (max. 62 AB addresses/ASi network), 2 AB addresses (max. 31 modules with 2 AB addresses), Single addresses (max. 31 Single addresses/ASi network), ASi-5 address (max. 62 ASi-5 addresses/ASi network), mixed use allowed. For modules with two ASi nodes the second ASi node is turned off as long as the first ASi node is addressed to address "0". Upon request, ASi nodes are available with specific ASi address profiles.

Article no.	BWU3874		BWU3873		BWU3872	
General data						
Device type	input				input/output	
Connection						
ASi / AUX connection	Push-in terminals					
Periphery connection	Push-in terminals					
Primary application	control cabinet					
Length of connector cable	I/O: unlimited ⁽¹⁾					
ASi						
Address	1 ASi-5 address					
Since ASi specification	ASi-5					
ASi process data width	2 byte		1 byte			
Operating voltage	30 V (18 ... 31.6 V)					
Max. current consumption	60 mA					
Max. current consumption without sensor/ actuator supply	60 mA					
AUX						
Voltage	24 V (18 ... 30 V)					
Max. current consumption	1 A			7 A		
Input						
Number	16		8			
Power supply	out of AUX					
Sensor supply	short-circuit and overload protected according to EN 61131-2					
max. current for sensor supply via the device (I ⁺)	up to 35°C	1,0 A ⁽²⁾			1,0 A ⁽⁶⁾	
	at 40°C				0,9 A ⁽⁶⁾	
	at 55°C	0,8 A ⁽²⁾			0,6 A ⁽⁶⁾	
	at 70°C	0,4 A ⁽²⁾			0,2 A ⁽⁶⁾	
Switching threshold	U < 5 V (low) U > 15 V (high)					
Output						
Number	–		8 x electronic			
Power supply	–					
Actuator supply	–		short-circuit and overload protected according to EN 61131-2			
Max. output current	up to 40°C	–			1 A per output, Σ (Out) 6 A ⁽⁷⁾	
	at 55°C					
	at 70°C				1 A per output, Σ (Out) 3 A ⁽⁷⁾	
Display						
LED ASI (green)	on: ASi voltage on, flashing: ASi voltage on, but peripheral fault ⁽³⁾ or address 0 off: no ASi Voltage					
LED FLT/FAULT (red)	an: ASi address 0 or ASi node offline flashing: peripheral fault ⁽³⁾ off: ASi node online					
LEDs I1 ... In (yellow)	state of inputs I1 ... I16		state of inputs I1 ... I8			
LEDs O1 ... On (yellow)	–		state of outputs O1 ... O8			
LED AUX (green)	on: 24 V _{DC} AUX off: no 24 V _{DC} AUX					

Article no.	BWU3874	BWU3873	BWU3872
Environment			
Applied standards	EN 61000-6-2 EN 61000-6-3 EN 61131 EN 60529		
It can be used with a switched AUX cable, which is passively safe up to SIL3/PLe	yes ⁽⁴⁾		
Operating altitude	max. 2000 m		
Ambient temperature	-30 °C ... +55 °C (up to max. +70 °C) ^{(2) (5) (6) (7)}		
	no condensation permitted		
Storage temperature	-25 °C ... +85 °C		
Housing	plastic, for DIN rail mounting		
Pollution Degree	2		
Protection category	IP20		
Tolerable loading referring to humidity	according to EN 61131-2		
Voltage of insulation	≥500 V		
Weight	120 g		
Dimensions (W / H / D in mm)	22,5 / 99 / 114		

(1) Loop resistance ≤150 Ω

(2)

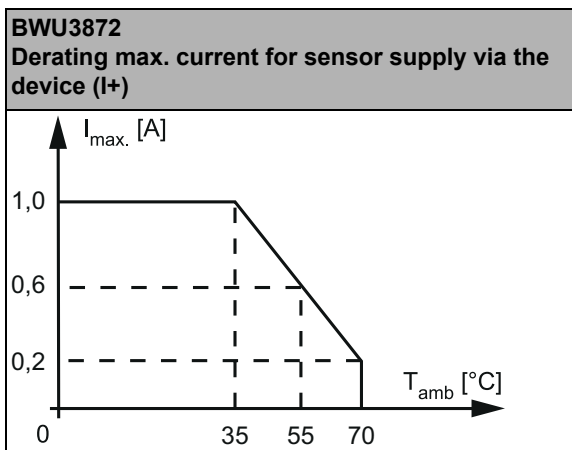


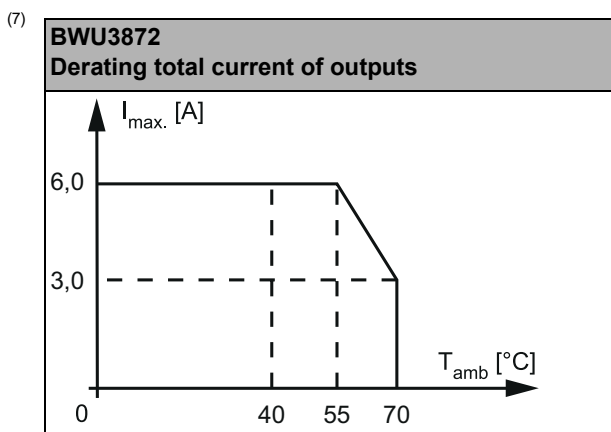
(3) see table „Peripheral fault indication“

(4) The module is suitable for use in paths with a passively safe-switched AUX cable, since an exclusion of errors can be assumed for the connection of the two ASi and AUX potentials.

(5) Maximum ambient operating temperature +55 °C according UL certificate for the use in the USA and Canada

(6)





Wiring rules

Push-in terminals, 2 /3 /4 poles (pitch 5 mm)	
General	
Nominal cross section	2.5 mm ²
Conductor cross section	
Conductor cross section solid	0.2 ... 2.5 mm ²
Conductor cross section flexible	0.2 ... 2.5 mm ²
Conductor cross section flexible, with ferrule	without plastic sleeve: 0.25 ... 2.5 mm ² with plastic sleeve: 0.25 ... 2.5 mm ²
2 conductors with same cross section, stranded, with TWIN ferrules	without plastic sleeve: 0.5 ... 1.5 mm ²
AWG	24 ... 14
Stripped insulation length	10 mm

UL-specifications (UL508) BWU3872, BWU3873, BWU3874	
External protection	An isolated source with a secondary open circuit voltage of ≤30 V _{DC} with a 3 A maximum over current protection. Over current protection is not required when a Class 2 source is employed.
In general	UL mark does not provide UL certification for any functional safety rating or aspects of the above devices.

Article no.	Peripheral fault indication		
	Overload sensor supply	Output short circuited	AUX voltage missing
BWU3872	•	-	•
BWU3873	•	-	•
BWU3873	•	-	•

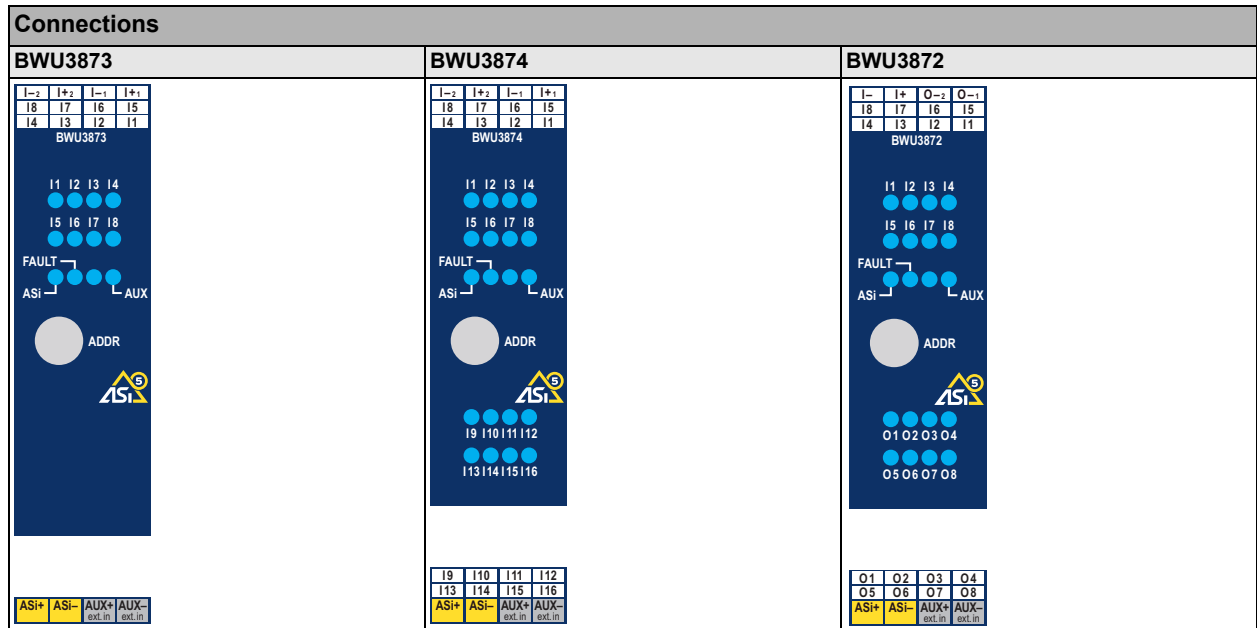
Programming

Article no.	Byte	Bit							
		D7	D6	D5	D4	D3	D2	D1	D0
		input							
BWU3872, BWU3873, BWU3874	0	I8	I7	I6	I5	I4	I3	I2	I1
BWU3874	1	I16	I15	I14	I13	I12	I11	I10	I9

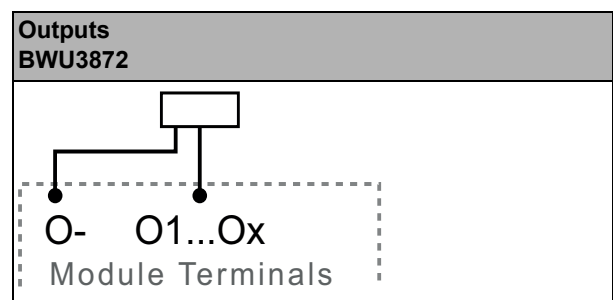
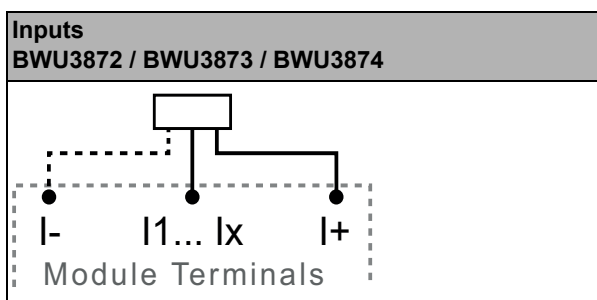
Article no.	Byte	Bit							
		D7	D6	D5	D4	D3	D2	D1	D0
		output							
BWU3872	0	O8	O7	O6	O5	O4	O3	O2	O1

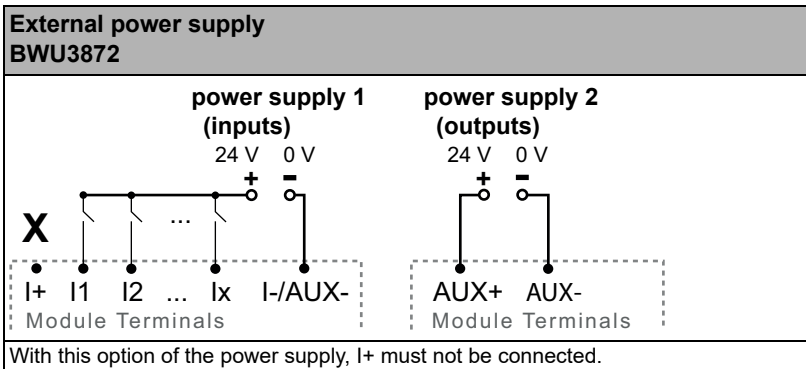
Connections

Name	Explanation
Ix	digital input x
Ox	digital output x
I+, I-, I+n, I-n	sensor supply
O-n	GND for outputs (PNP)
AUX+ _{ext.in}	power supply, out of external voltage, positive pole
AUX- _{ext.in}	power supply, out of external voltage, negative pole
ASi+, ASi-	connection to ASi bus
ADDR	connection for ASi addressing device
n.c. (not connected)	not connected



Power Supply PNP





 IP54	Note
	To achieve passive safety, the device must be installed in a switching cabinet with protection class IP54.

Accessories:

- ASi-5/ASi-3 Address Programming Device (art. no. BW4925)