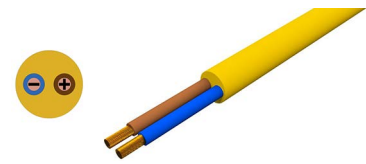


Round cable for data and power transmission

Round cable, yellow

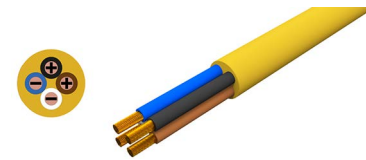
- 2 wires (BN, BU)
- for data and power transmission



(BW3653)

Round cable, yellow

- 4 wires (BK, BN, WH, BU)
- for data and power transmission and for additional 24 V auxiliary power



(BW3654)

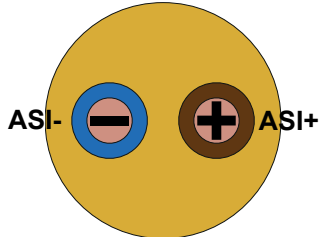
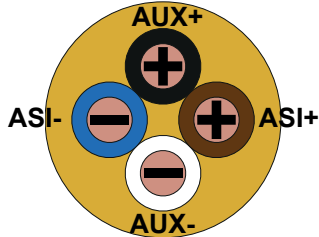


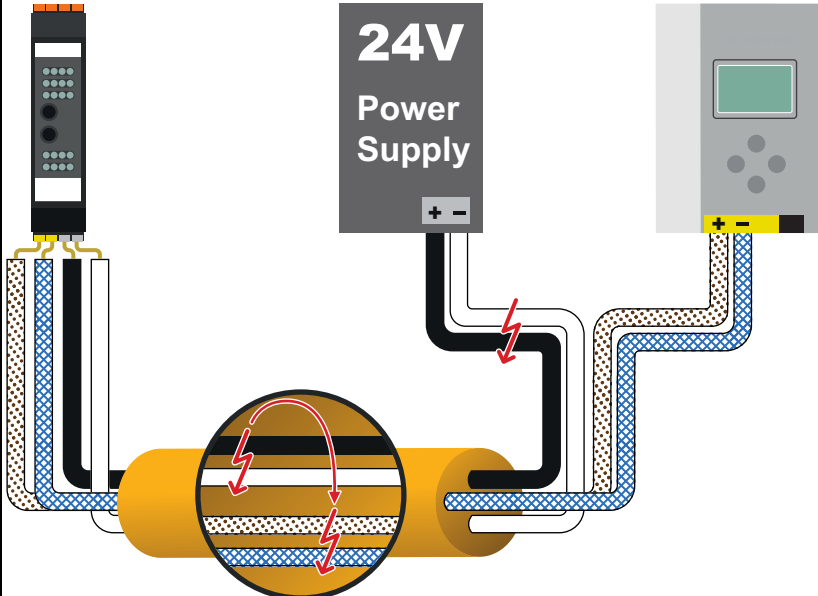
Article no.	BW3653	BW3654
Material	PVC	
Oil-resistance	•	
Fire protection	•	
UV resistant	•	
Suitable for drag chains	-	
Direct burial	•	
TC approval	•	
ER approval	-	•
Conform RoHS	•	
UL and CSA certificated	•	

Article no.	BW3653	BW3654
In general		
Signal transmission	ASi	ASi + U _{AUX}
Operating voltage	≤32 V	≤32 V + ≤48 V
Current rating	≤16 A	
Conductor		
Number	2 wires	4 wires
Material	bare stranded copper wire	
Diameter	Ø 3,15 mm ±0,05 mm (incl. insulation)	
Nominal cross section	1,5 mm ² / AWG 16	
Insulation	PVC	
Average insulation thickness	approx. 0,76 mm	
Insulation color	BN, BU	BN, WH, BU, BK
Conductor resistance	max. 13,10 Ω/km	
Jacket		
Material	PVC	
Average thickness	approx. ,143 mm	
Outer diameter	Ø 8,6 mm	Ø 9,9 mm
Color	yellow	
Bending radius		
Min. bending radius fixed	4 x d	
Min. bending radius moved	13 x d	

Round cable for data and power transmission

Article no.	BW3653	BW3654
Environment		
Applies standards	<ul style="list-style-type: none"> • flame retardant acc. to IEC 60332-1, IEC 60332-3A and UL category FT4/IEEE • oil and water resistant acc. UL 1277 and UL 1063 (oil-resistant acc. to UL OIL RES I and water-resistant, UL wet approval 75 °C) • UV-resistant acc. to EN 50396 and HD 605 A1; SUN RES acc. to UL 1581 • UL listed acc. to UL 1277 and 1063 - UL/CSA recognized acc. to UL 10012 and 2587 	
Operating temperature	<ul style="list-style-type: none"> • fixed: -40 °C ... +90 °C (Tray Cable - MTW)/ +105 °C (cUR AWM) • moved: -5 °C ... +90 °C (Tray Cable - MTW)/ +105 °C (cUR AWM) 	
Weight (kg/km)	107	156
Delivery length	100 m (ring)	

Cross section					
Article No.	Brown (BN)	White (WH)	Blue (BU)	Black (BK)	
BW3653	ASi+	-	ASi-	-	
BW3654	ASi+	AUX-	ASi-	AUX+	

Notice	
	<p>Interference in the 24 V power supply can under some circumstances when using a 4-conductor cable (BW3654) result in ASi communication errors. To ensure more robust resistance to EMC interference separate routing of the ASi cable and 24 V auxiliary power (AUX) using 2-conductor cables (e.g. BW3653) is recommended.</p>

Notice
Due to the more favorable geometry for ASi communication, longer ASi circuit lengths can be achieved with ASi profile cables (e.g. BW2756) than with round cables.