

connections for profile cables 1 x ASi, 2 x ASi or connections for profile cables for 1 x ASi + 1 x AUX

- to M8 cable sockets
- to M8 snap-in cable sockets
- to M12 sockets / cable sockets
- to connecting wires
- to round cable / connecting wires
- as profile cable branch



(figure similar)

optionally with changeable or self-resetting fuses



| Figure | Profile cable connection | Connection ⁽¹⁾ | Internal fuse ⁽²⁾ | Round cable ⁽³⁾ | Flat design, montage in cable duct possible ⁽⁴⁾ | LED status display | Special function | Article no. |
|--------|--------------------------|---|--|----------------------------|--|--------------------|--------------------------------|-------------|
| | 1 x ASi, 1 x AUX | 2 x M12 sockets, 5-poles | 4 A, changeable | - | no | yes | - | BWU3087 |
| | 1 x ASi, 1 x AUX | 2 x M12 sockets, 5-poles | 1 A, self-resetting | - | no | yes | - | BWU3117 |
| | 1 x ASi, 1 x AUX | 2 x M12 sockets, 5-poles | - | - | no | yes | - | BWU3184 |
| | 1 x ASi, 1 x AUX | 1 x M12 socket, 5-poles | 4 A, changeable | - | no | yes | - | BWU3491 |
| | 1 x ASi, 1 x AUX | 1 x M12 socket, 5-poles | 1 A, self-resetting | - | no | yes | - | BWU3492 |
| | 1 x ASi, 1 x AUX | 1 x M12 socket, 5-poles | - | - | no | yes | - | BWU3493 |
| | 1 x ASi, 1 x AUX | 1 x M12 socket, 5-poles | - | - | no | no | - | BW3803 |
| | 1 x ASi, 1 x AUX | 1 x M8 cable socket, straight, 5-poles + 1 x M8 cable socket, straight, 4-poles | 8 A slow-blow fuse + 1 A, self-resetting | 0,20 m | yes, 19 mm deep | yes | - | BW3276 |
| | 1 x ASi, 1 x AUX | 1 x M8 snap-in cable socket, straight, 4-poles | 4 A slow-blow fuse + 1 A, self-resetting | 0,20 m | yes, 19 mm deep | yes | - | BW3681 |
| | 1 x ASi, 1 x AUX | 1 x round cable / connecting wires 0,5 mm ² | 8 A slow-blow fuse | 1,3 m | yes, 19 mm deep | yes | - | BW3423 |
| | 1 x ASi, 1 x AUX | 1 x M12 cable socket, angled, 5-poles | 1 A, self-resetting | 2 m | yes, 19 mm deep | yes | to connect ASi devices via M12 | BW3246 |
| | 1 x ASi, 1 x AUX | 1 x M12 cable socket, angled, 5-poles | - | 2 m | yes, 19 mm deep | no | to connect ASi devices via M12 | BWU3183 |
| | 1 x ASi, 1 x AUX | 1 x M12 cable socket, angled, 5-poles | - | 1 m | yes, 19 mm deep | no | to connect ASi devices via M12 | BWU3408 |
| | 1 x ASi, 1 x AUX | 1 x M12 cable socket, straight, 5-poles | - | 1 m | yes, 19 mm deep | no | to connect ASi devices via M12 | BWU3403 |
| | 1 x ASi, 1 x AUX | 1 x M12 cable socket, straight, 5-poles | - | 0,3 m | yes, 19 mm deep | no | to connect ASi devices via M12 | BWU3778 |
| | 1 x ASi, 1 x AUX | 1 x M12 cable socket, straight, 5-poles | - | 0,05 m | yes, 19 mm deep | no | to connect ASi devices via M12 | BW3805 |
| | 1 x ASi, 1 x AUX | 1 x round cable / connecting wires 0,34 mm ² | - | 5 m | yes, 19 mm deep | no | - | BW3315 |
| | 1 x ASi, 1 x AUX | 1 x round cable / connecting wires 0,34 mm ² | - | 2 m | yes, 19 mm deep | no | - | BWU3314 |
| | 1 x ASi, 1 x AUX | 1 x round cable / connecting wires 0,34 mm ² | - | 1,3 m | yes, 19 mm deep | no | - | BW3512 |
| | 2 x ASi | 1 x M12 cable socket, angled, 5-poles | - | 2 m | yes, 19 mm deep | no | - | BWU3185 |
| | 2 x ASi | 1 x M12 cable socket, angled, 5-poles | - | 1 m | yes, 19 mm deep | no | - | BWU4242 |
| | 2 x ASi | 1 x M12 cable socket, straight, 5-poles | - | 2 m | yes, 19 mm deep | no | - | BWU3247 |
| | 2 x ASi | 1 x round cable / connecting wires 0,34 mm ² | - | 0,25 m | yes, 19 mm deep | no | - | BW3186 |

| Figure | Profile cable connection | Connection ⁽¹⁾ | Internal fuse ⁽²⁾ | Round cable ⁽³⁾ | Flat design, montage in cable duct possible ⁽⁴⁾ | LED status display | Special function | Article no. |
|--------|--------------------------|---|------------------------------|----------------------------|--|--------------------|------------------|-------------|
| | 2 x ASi | 1 x round cable / connecting wires 0,34 mm ² | - | 5 m | yes, 19 mm deep | no | - | BW3524 |
| | 1 x ASi | 1 x M12 cable socket, angled, 5-poles | - | 1 m | yes, 19 mm deep | no | - | BWU3407 |
| | 2 x ASi | profile cable branch | - | - | yes, 19 mm deep | no | - | BWU3157 |

(1) **Connection:** further connection options are available on request.

| M12 cable socket, angled | M12 cable socket, straight | M8 cable socket, straight | round cable / connecting wires | profile cable branch |
|--------------------------|----------------------------|---------------------------|--------------------------------|----------------------|
| PUR line: oil resistant | | | | |
| | | | | |

(2) **Internal fuse**

4 A, changeable: The internal protection is realized via changeable 4 A fuses (slow-blow) for ASi and AUX. At each M12 connection ≤4 A are available.

1 A, self-resetting: The internal protection is realized via self-resetting 1 A fuses for ASi and AUX. At each M12 connection ≤1 A are available.

8 A slow-blow fuse + 1 A, self-resetting: The internal protection is realized via one 8 A slow-blow fuse for AUX and via one self-resetting 1 A fuse for ASi. At each M8 connection (AUX) ≤6 A are available, at each M8 connection (ASi) ≤1 A are available.

4 A slow-blow fuse + 1 A, self-resetting: The internal protection is realized via one 4 A slow-blow fuse for AUX and via one self-resetting 1 A fuse for ASi. At each M8 connection (AUX) ≤4 A are available, at each M8 connection (ASi) ≤1 A are available.

(3) **Cable:** other cable lengths are available on request.

Under normal conditions (no bus termination or repeater), the permissible total length of the **ASi segment is max. 100 m**. The calculation should take into consideration that the length of the connection cable (**round cable**) for each connected **Passive Distributor** must be **doubled**. In the case of the **Active Distributors** (ASi modules) however only the **one** ASi profile cable is counted.

(4) **Flat design, installation in cable duct possible**

Modules with a flat housing design and with cables which exit the sides make these ideal for installation in cable ducts, cable channels, cable troughs, cable rails or cable trays. Please note the respective housing depth for your particular installation.

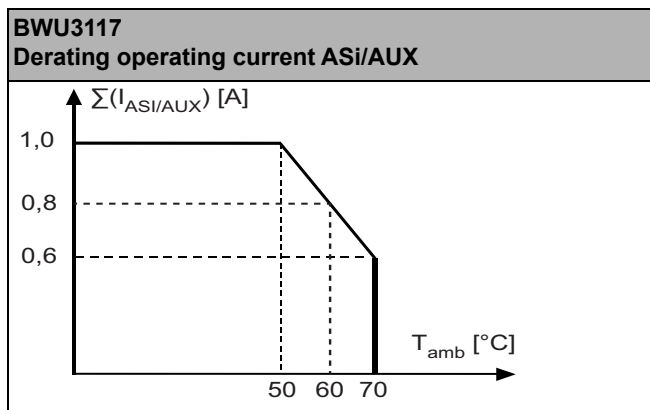
| Article No. | BWU3184 | BWU3087 | BWU3117 |
|--|--|---|---|
| Connection | | | |
| Profile cable connection | 1 x ASi, 1 x AUX profile cable and piercing technology | | |
| Connection | 2 x M12 sockets, 5 poles | | |
| Round cable | - | | |
| Operating voltage | 10 ... 32 V _{DC} PELV | | |
| Operating current | up to +50 °C | ≤4 A at each M12 connection | |
| | at +60 °C | ≤1 A at each M12 connection ⁽³⁾ | |
| | at +70 °C | ≤0,8 A at each M12 connection ⁽³⁾ | |
| Internal fuse | - | 2 x 4 A changeable fuses for ASi and AUX for each M12 connection | 2 x 1 A self-resetting fuses for ASi and AUX for each M12 connection |
| UL-specifications (UL61010-1 and UL61010-2-201) | | | |
| External protection | An isolated source with a secondary open circuit voltage of ≤30 V _{DC} with a 3 A maximum over current protection. Over current protection is not required when a Class 2 source is employed. | | |

| Article No. | BWU3184 | BWU3087 | BWU3117 |
|--|---|---|---------|
| Display | | | |
| LED ASi1, ASi2 (green) | - | on: ASi voltage at M12 connection 1, 2 O.K. | |
| LED AUX1, AUX2 (green) | - | on: AUX voltage at M12 connection 1, 2 O.K. | |
| LED ASi (green) | on: ASi voltage at profile cable O.K. | | |
| LED AUX (green) | on: AUX voltage at profile cable O.K. | | |
| Environment | | | |
| Applied standards | EN 60529 EN 61000-6-2 EN 61000-6-3 | | |
| It can be used with a switched AUX cable, which is passively safe up to SIL3/PLe | no ⁽¹⁾ | | |
| Operating altitude | max. 2000 m | | |
| Ambient temperature | -30 °C ... +70 °C ⁽²⁾ ⁽³⁾ | | |
| Storage temperature | -25 °C ... +85 °C | | |
| Housing | plastic, for screw mounting | | |
| Pollution degree | 2 | | |
| Protection category | IP67 | | |
| Tolerable loading referring to humidity | according to EN 61131-2 | | |
| Maximum tolerable shock and vibration stress | ≤15g, T≤11 ms 10 ... 55 Hz, 0,5 mm amplitude | | |
| Insulation voltage | ≥500 V | | |
| Weight | 91 g | | |
| Dimensions (W / H / D) in mm | 60 / 45 / 35 | | |

(1) The passiv distributor is not suitable for use in paths with a passively safe-switched AUX cable, since an exclusion of errors cannot be assumed for the connection of the two ASi and AUX potentials.
If the passiv distributor is supplied from an unswitched AUX cable, this has no influence on the safety consideration for the paths with passively safe-switched AUX cable. In an ASi circuit, paths supplied from a passively safe-switched AUX cable and paths supplied from unswitched AUX potential can be used together.

(2) Down to -25 °C with flexibly mounted cable, -30 °C only with fixed mounted cable.

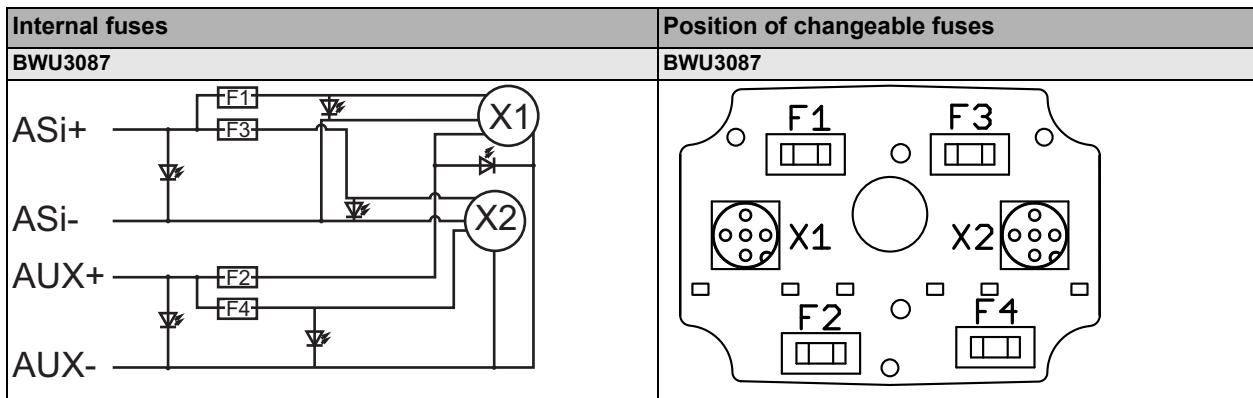
(3)



Notice BWU3087, BWU3117, BWU3184, BWU3491, BWU3492, BWU3493

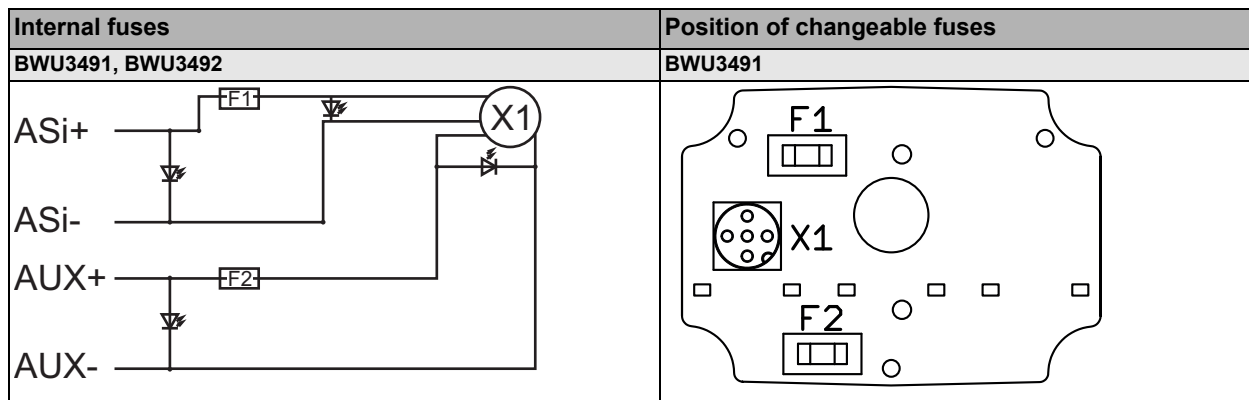
After each opening of the module, such as after replacing a fuse, check for proper function and correct placement of the seals.

Dirt, damage and/or shifting of the seals can compromise protection of the module against solid particles and liquids so that the specified protection category is no longer guaranteed.



| Article No. | BW3803 | BWU3493 | BWU3491 | BWU3492 |
|--|---|--|---|-----------------------------|
| Connection | | | | |
| Profile cable connection | 1 x ASi, 1 x AUX profile cable and piercing technology | | | |
| Connection | 1 x M12 socket, 5-poles | | | |
| Round cable | - | | | |
| Operating voltage | 10 ... 32 V _{DC} PELV | | | |
| Operating current | up to +30 °C | ≤4 A at each M12 connection | | ≤1 A at each M12 connection |
| | at +40 °C | | | |
| | at +50 °C | | | |
| Internal fuse | - | 1 x 4 A changeable fuse for ASi and AUX for each M12 connection | 1 x 1 A self-resetting fuse for ASi and AUX for each M12 connection | |
| Display | | | | |
| LED ASi1 (green) | - | on: ASi voltage at M12 connection 1 O.K. | | |
| LED AUX1 (green) | - | on: AUX voltage at M12 connection 1 O.K. | | |
| LED ASi (green) | - | on: ASi voltage at profile cable O.K. | | |
| LED AUX (green) | - | on: AUX voltage at profile cable O.K. | | |
| UL-specifications (UL61010-1 and UL61010-2-201) | | | | |
| External protection | - | An isolated source with a secondary open circuit voltage of ≤30 V _{DC} with a 3 A maximum over current protection. Over current protection is not required when a Class 2 source is employed. | | |
| Environment | | | | |
| Applied standards | EN 60529 EN 61000-6-2 EN 61000-6-3 | | | |
| It can be used with a switched AUX cable, which is passively safe up to SIL3/PLe | no ⁽¹⁾ | | | |
| Operating altitude | max. 2000 m | | | |
| Ambient temperature | -30 °C ... +70 °C ⁽²⁾ | | | |
| Storage temperature | -25 °C ... +85 °C | | | |
| Housing | plastic, for screw mounting | | | |
| Pollution Degree | 2 | | | |
| Protection category | IP67 | | | |
| Tolerable loading referring to humidity | according to EN 61131-2 | | | |
| Maximum tolerable shock and vibration stress | ≤15g, T≤11 ms 10 ... 55 Hz, 0,5 mm amplitude | | | |
| Insulation voltage | ≥500 V | | | |
| Weight | 91 g | | | |
| Dimensions (W / H / D) in mm | 60 / 45 / 28 | 60 / 45 / 35 | | |

- (1) The passive distributor is not suitable for use in paths with a passively safe-switched AUX cable, since an exclusion of errors cannot be assumed for the connection of the two ASi and AUX potentials.
 If the passive distributor is supplied from an unswitched AUX cable, this has no influence on the safety consideration for the paths with passively safe-switched AUX cable. In an ASi circuit, paths supplied from a passively safe-switched AUX cable and paths supplied from unswitched AUX potential can be used together.
- (2) Down to -25 °C with flexibly mounted cable, -30 °C only with fixed mounted cable.



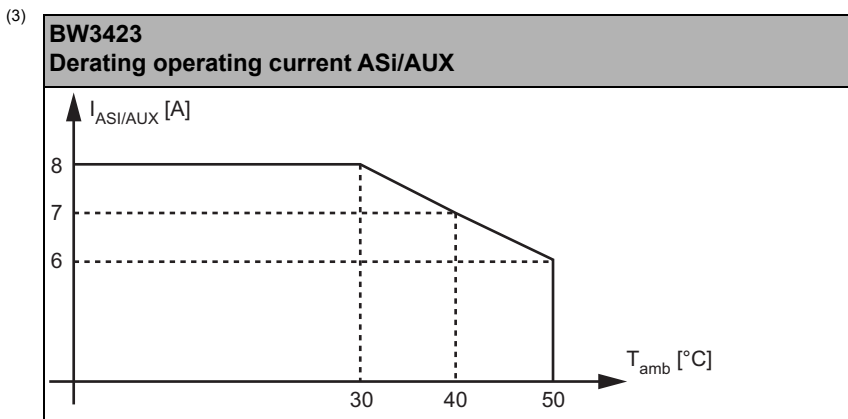
| Article No. | BW3246 | BW3276 | BW3681 | BW3423 | |
|----------------------------------|---|---|--|---|---|
| Connection | | | | | |
| Profile cable connection | 1 x ASi, 1 x AUX profile cable and piercing technology | | | | |
| Connection | 1 x M12 cable socket, angled, 5-poles | 1 x M8 cable socket, straight, 5-poles + 1 x M8 cable socket, straight, 4-poles | 1 x M8 snap-in cable socket, straight, 4-poles | 1 x round cable/connecting wires 0,5 mm ² | |
| Round cable (L in m) | L1 (ASi1/AUX1): 2,0 | L1 (ASi1): 0,20 L2 (AUX1): 0,20 | L1 (ASi1/AUX1): 0,20 | L1 (ASi1/AUX1): 1,3 | |
| max. allowed tensile strain 10 N | | | | | |
| Operating voltage | | | | | |
| 10 ... 32 V _{DC} PELV | | | | | |
| Operating current | up to +30 °C | ≤1 A at each M12 connection | ≤6 A at each M8 connection (AUX) ≤1 A at each M8 connection (ASi) | ≤4 A at each M8 connection (AUX) ≤1 A at each M8 connection (ASi) | ≤8 A at each round cable/connecting wire ⁽³⁾ |
| | at +40 °C | | | | ≤7 A at each round cable/connecting wire ⁽³⁾ |
| | at +50 °C | | | | ≤6 A at each round cable/connecting wire ⁽³⁾ |
| Internal fuse | | 2 x 1 A self-resetting fuses for ASi and AUX for each M12 connection | 1 x 8 A slow-blow fuse for AUX + 1 x 1 A self-resetting fuse for ASi | 1 x 4 A slow-blow fuse for AUX (F2)+ 1 x 1 A self-resetting fuse for ASi (F1) | 2 x 8 A slow-blow fuses for ASi and AUX |
| Display | | | | | |
| LED ASi1, ASi2 (green) | on: ASi voltage at M12 connection 1 O.K. | on: ASi voltage at M8 connection 1 O.K. | | on: ASi voltage at round cable O.K. | |
| LED AUX1, AUX2 (green) | on: AUX voltage at M12 connection 1 O.K. | on: AUX voltage at M8 connection 1 O.K. | | on: AUX voltage at round cable O.K. | |
| LED ASi (green) | on: ASi voltage at profile cable O.K. | | | | |
| LED AUX (green) | on: AUX voltage at profile cable O.K. | | | | |

Passive Distributor ASi, IP67

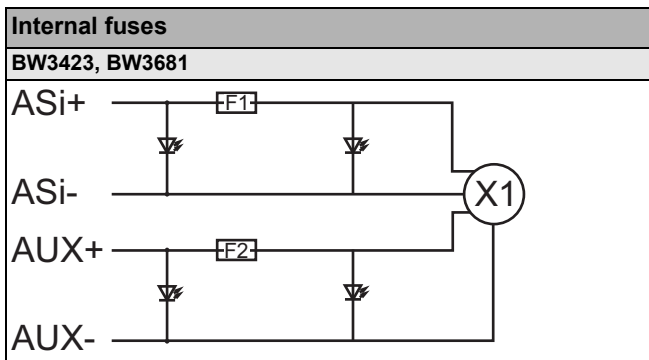
| Article No. | BW3246 | BW3276 | BW3681 | BW3423 |
|--|---|--------|----------------------------------|--------|
| Environment | | | | |
| Applied standards | EN 60529 EN 61000-6-2 EN 61000-6-3 | | | |
| It can be used with a switched AUX cable, which is passively safe up to SIL3/PLe | no ⁽¹⁾ | | | |
| Operating altitude | max. 2000 m | | | |
| Ambient temperature | -30 °C ... +55 °C ⁽²⁾ | | -30 °C ... +50 °C ⁽²⁾ | |
| Storage temperature | -25 °C ... +85 °C | | | |
| Housing | plastic, for screw mounting, suitable for cable ducts (installation depth ≥19 mm) | | | |
| Pollution Degree | 2 | | | |
| Protection category | IP67 | | IP67 ⁽⁴⁾ | |
| Tolerable loading referring to humidity | according to EN 61131-2 | | | |
| Maximum tolerable shock and vibration stress | ≤15g, T≤11 ms 10 ... 55 Hz, 0,5 mm amplitude | | | |
| Insulation voltage | ≥500 V | | | |
| Weight | 75 g | | 100 g | |
| Dimensions (W / H / D) in mm | 60 / 45 / 19 | | | |

(1) The passiv distributor is not suitable for use in paths with a passively safe-switched AUX cable, since an exclusion of errors cannot be assumed for the connection of the two ASi and AUX potentials.
If the passiv distributor is supplied from an unswitched AUX cable, this has no influence on the safety consideration for the paths with passively safe-switched AUX cable. In an ASi circuit, paths supplied from a passively safe-switched AUX cable and paths supplied from unswitched AUX potential can be used together.

(2) Down to -25 °C with flexibly mounted cable, -30 °C only with fixed mounted cable.



(4) Protection category IP67 can only be achieved, if also the cable connector fulfills IP67.



| Article No. | BWU3157 | BW3186 | BW3524 | BWU3247 | BWU3185 | BWU4242 |
|--|--|--|---------------|--|--|---------------|
| Connection | | | | | | |
| Profile cable connection | 2 x ASi profile cable and piercing technology (internally bridged) | | | | | |
| Connection | profile cable branch | 1 x round cable / connecting wires 0,34 mm ² | | 1 x M12 cable socket, straight, 5-poles | 1 x M12 cable socket, angled, 5-poles | |
| Round cable (L in m) | – | L1 (ASi): 0,25 | L1 (ASi): 5,0 | L1 (ASi): 2,0 | | L1 (ASi): 1,0 |
| max. allowed tensile strain 10 N | | | | | | |
| Operating voltage | 10 ... 32 V _{DC} PELV | | | | | |
| Operating current | profile cable and piercing (cable branch): ≤8 A | | | | | |
| | – | ≤4 A at each round cable / con- necting wires | | ≤4 A at each M12 connection | | |
| Internal fuses | – | | | | | |
| UL-specifications (UL61010-1 and UL61010-2-201) | | | | | | |
| External protection | An isolated source with a secondary open circuit voltage of ≤30 V _{DC} with a 3 A maximum over current protection. Over current protection is not required when a Class 2 source is employed. | | | | | – |
| Environment | | | | | | |
| Applied standards | EN 60529 EN 61000-6-2 EN 61000-6-3 | | | | | |
| It can be used with a switched AUX cable, which is passively safe up to SIL3/PLe | yes ⁽¹⁾ | | | | | |
| Operating altitude | max. 2000 m | | | | | |
| Ambient temperature | -30 °C ... +70 °C ⁽²⁾ | | | | | |
| Storage temperature | -25°C ... +85 °C | | | | | |
| Housing | plastic, for screw mounting, suitable for cable ducts (installation depth ≥19 mm) | | | | | |
| Pollution Degree | 2 | | | | | |
| Protection category | IP67 | IP67 ⁽³⁾ | | IP67 | | |
| Tolerable loading referring to humidity | according to EN 61131-2 | | | | | |
| Maximum tolerable shock and vibration stress | ≤15g, T≤11 ms 10 ... 55 Hz, 0,5 mm amplitude | | | | | |
| Insulation voltage | ≥500 V | | | | | |
| Weight | 75 g | | 190 g | | 75 g | |
| Dimensions (W / H / D) in mm | 60 / 45 / 19 | | | | | |

(1) The passive distributor is suitable for use in passive safe paths as it has no connection to an AUX potential.

(2) Down to -25 °C with flexibly mounted cable, -30 °C only with fixed mounted cable.

(3) Protection category IP67 can only be achieved, if also the cable connector fulfills IP67.

| Article No. | BWU3407 | BWU3408 | BWU3183 | BWU3403 | BWU3778 |
|----------------------------------|--|-------------------|---|---|-------------------|
| Connection | | | | | |
| Profile cable connection | 1 x ASi profile cable and piercing technolo- gy | | 1 x ASi, 1 x AUX profile cable and piercing technology | | |
| Connection | 1 x M12 cable socket, angled, 5-poles | | | 1 x M12 cable socket, straight, 5-poles | |
| Round cable (L in m) | L1 (ASi): 1,0 | L1 (ASi/AUX): 1,0 | L1 (ASi/AUX): 2,0 | L1 (ASi/AUX): 1,0 | L1 (ASi/AUX): 0,3 |
| max. allowed tensile strain 10 N | | | | | |
| Operating voltage | 10 ... 32 V _{DC} PELV | | | | |
| Operating current | ≤4 A at each connection | | | | |
| Internal fuses | – | | | | |

| Article No. | BWU3407 | BWU3408 | BWU3183 | BWU3403 | BWU3778 |
|--|---|-------------------|---------|---------|---------|
| UL-specifications (UL61010-1 and UL61010-2-201) | | | | | |
| External protection | An isolated source with a secondary open circuit voltage of $\leq 30 V_{DC}$ with a 3 A maximum over current protection. Over current protection is not required when a Class 2 source is employed. | | | | |
| Environment | | | | | |
| Applied standards | EN 60529 EN 61000-6-2 EN 61000-6-3 | | | | |
| It can be used with a switched AUX cable, which is passively safe up to SIL3/PLe | yes ⁽¹⁾ | no ⁽³⁾ | | | |
| Operating altitude | max. 2000 m | | | | |
| Ambient temperature | -30 °C ... +70 °C ⁽²⁾ | | | | |
| Storage temperature | -25 °C ... +85 °C | | | | |
| Housing | plastic, for screw mounting, suitable for cable ducts (installation depth ≥ 19 mm) | | | | |
| Pollution Degree | 2 | | | | |
| Protection category | IP67 | | | | |
| Tolerable loading referring to humidity | according to EN 61131-2 | | | | |
| Maximum tolerable shock and vibration stress | $\leq 15g$, $T \leq 11$ ms 10 ... 55 Hz, 0,5 mm amplitude | | | | |
| Insulation voltage | ≥ 500 V | | | | |
| Weight | 75 g | | | | |
| Dimensions (W / H / D) in mm | 60 / 45 / 19 | | | | |

(1) The passive distributor is suitable for use in passive safe paths as it has no connection to an AUX potential.

(2) Down to -25 °C with flexibly mounted cable, -30 °C only with fixed mounted cable.

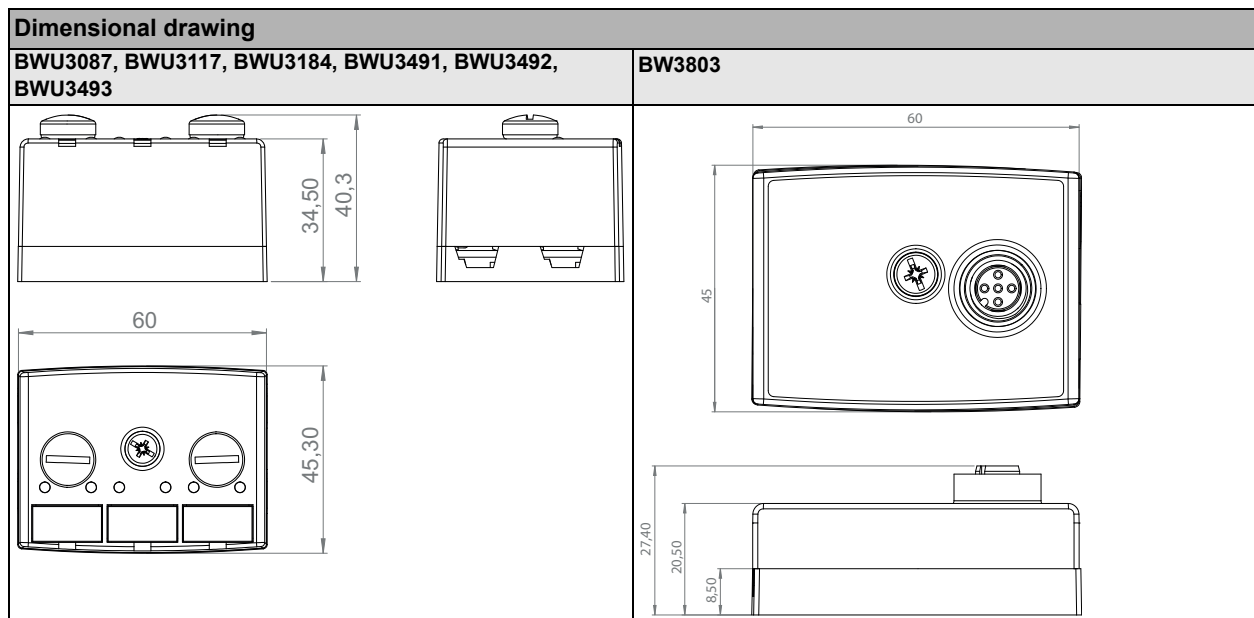
(3) The passiv distributor is not suitable for use in paths with a passively safe-switched AUX cable, since an exclusion of errors cannot be assumed for the connection of the two ASi and AUX potentials.
If the passiv distributor is supplied from an unswitched AUX cable, this has no influence on the safety consideration for the paths with passively safe-switched AUX cable. In an ASi circuit, paths supplied from a passively safe-switched AUX cable and paths supplied from unswitched AUX potential can be used together.

| Article No. | BW3805 | BW3512 | BWU3314 | BW3315 |
|--|---|---|-------------------|-------------------|
| Connection | | | | |
| Profile cable connection | 1 x ASi, 1 x AUX profile cable and piercing technology | | | |
| Connection | 1 x M12 cable socket, straight, 5-poles | 1 x round cable /connecting wires 0,34 mm ² | | |
| Round cable (L in m) | L1 (ASi/AUX): 0,05 | L1 (ASi/AUX): 1,3 | L1 (ASi/AUX): 2,0 | L1 (ASi/AUX): 5,0 |
| | max. allowed tensile strain 10 N | | | |
| Operating voltage | 10 ... 32 V_{DC} PELV | | | |
| Operating current | ≤ 4 A at each connection | | | |
| Internal fuses | - | | | |
| UL-specifications (UL61010-1 and UL61010-2-201) | | | | |
| External protection | - | An isolated source with a secondary open circuit voltage of $\leq 30 V_{DC}$ with a 3 A maximum over current protection. Over current protection is not required when a Class 2 source is employed. | | |

Passive Distributor ASi, IP67

| Article No. | BW3805 | BW3512 | BWU3314 | BW3315 |
|--|--|---------------------|---------|--------|
| Environment | | | | |
| Applied standards | EN 60529 EN 61000-6-2 EN 61000-6-3 | | | |
| It can be used with a switched AUX cable, which is passively safe up to SIL3/PLe | no ⁽¹⁾ | | | |
| Operating altitude | max. 2000 m | | | |
| Ambient temperature | -30 °C ... +70 °C ⁽²⁾ | | | |
| Storage temperature | -25 °C ... +85 °C | | | |
| Housing | plastic, for screw mounting, suitable for cable ducts (installation depth ≥19 mm) | | | |
| Pollution Degree | 2 | | | |
| Protection category | IP67 | IP67 ⁽³⁾ | | |
| Tolerable loading referring to humidity | according to EN 61131-2 | | | |
| Maximum tolerable shock and vibration stress | ≤15g, T≤11 ms 10 ... 55 Hz, 0,5 mm amplitude | | | |
| Insulation voltage | ≥500 V | | | |
| Weight | 75 g | | | 190 g |
| Dimensions (W / H / D) in mm | 60 / 45 / 19 | | | |

- (1) The passiv distributor is not suitable for use in paths with a passively safe-switched AUX cable, since an exclusion of errors cannot be assumed for the connection of the two ASi and AUX potentials.
If the passiv distributor is supplied from an unswitched AUX cable, this has no influence on the safety consideration for the paths with passively safe-switched AUX cable. In an ASi circuit, paths supplied from a passively safe-switched AUX cable and paths supplied from unswitched AUX potential can be used together.
- (2) Down to -25 °C with flexibly mounted cable, -30 °C only with fixed mounted cable.
- (3) Protection category IP67 can only be achieved, if also the cable connector fulfills IP67.



| Dimensional drawing | |
|--|---------|
| BWU3183, BWU3185, BW3186, BW3246, BWU3247, BW3276, BWU3314, BW3315, BWU3403, BWU3407, BWU3408, BW3423, BW3512, BW3524, BW3681, BWU3778, BW3805, BWU4242 | BWU3157 |
| | |

| Connections: M12 | | | | | | |
|---------------------------------|----------------|-------|-------|-------|-------|------|
| Article No. | M12 connection | Pin1 | Pin2 | Pin3 | Pin4 | Pin5 |
| BWU3087, BWU3117, BWU3184 | X1 | ASi + | AUX - | ASi - | AUX + | n.c. |
| | X2 | ASi + | AUX - | ASi - | AUX + | n.c. |
| BWU3491, BWU3492, BWU3493 | X1 | ASi + | AUX - | ASi - | AUX + | n.c. |
| BW3803 | X1 | ASi + | AUX - | ASi - | AUX + | n.c. |
| BW3246 | X1 | ASi + | AUX - | ASi - | AUX + | n.c. |

| Connections: M12 | | | | | | | |
|--|----------------|-------|-------|-------|-------|------|--|
| Article No. | M12 connection | Pin1 | Pin2 | Pin3 | Pin4 | Pin5 | |
| BWU3183, BWU3403, BWU3408, BWU3778, BW3805 | X1 | ASi + | AUX - | ASi - | AUX + | n.c. | |
| BWU3185, BWU3247 BWU4242 | X1 | ASi + | n.c. | ASi - | n.c. | n.c. | |
| BWU3407 | X1 | ASi + | n.c. | ASi - | n.c. | n.c. | |

| Connections: round cable/connecting wires | | | | | | |
|---|----------------------------------|---------------|---------------|--------------|---------------|--|
| Article No. | round cable/ connecting wires | Brown (BN) | White (WH) | Blue (BU) | Black (BK) | |
| BWU3314, BW3315, BW3512 | X1 | ASi+ | AUX - | ASi- | AUX + | |
| BW3186, BW3524 | X1 | ASi+ | - | ASi- | - | |
| BW3423 | X1 | ASi+ | AUX- | ASi- | AUX+ | |

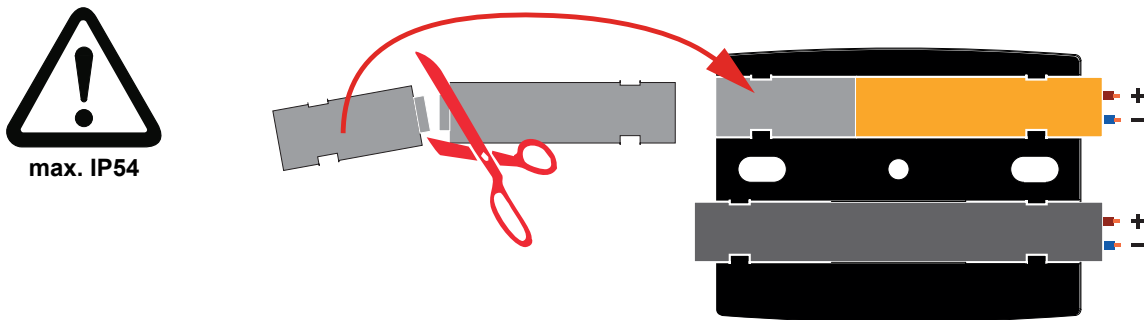
Passive Distributor ASI, IP67

| Connections: M8 | | | | | | |
|-----------------|---------------|------|------|------|------|------|
| Article No. | M8 connection | Pin1 | Pin2 | Pin3 | Pin4 | Pin5 |
| BW3276 | X1 | ASi+ | ASi+ | ASi- | ASi- | - |
| | X2 | AUX+ | AUX+ | AUX- | AUX- | n.c. |

| Connections: M8 snap-in cable socket | | | | | |
|--------------------------------------|---------------|------|-------|------|-------|
| Article No. | M8 connection | Pin1 | Pin2 | Pin3 | Pin4 |
| BW3681 | X1 | ASi+ | AUX1- | ASi- | AUX1+ |

| Connections: profile cable branch | |
|-----------------------------------|--|
| <p>BWU3157</p> <p>max 8 A</p> | |

Line termination with sealing profile



Accessories:

- Sealing profile IP67 (IDC plug), 60 mm (article no. BW3282)