

Simple assembly concept

- by screw-mounting
- geared to 40 mm profile rail
- with a powerful magnet for variable applications

2-colored lighted (red/green)



(figure similar)



| Figure | Switches/Buttons | Lighted | Mounting method | Article No. |
|--------|----------------------|------------|----------------------------|---------------|
| | E-STOP button module | red/green | 2 holes for screw mounting | BW2773 |
| | E-STOP button module | red/green | retaining clip | BW2529 |
| | E-STOP button module | red/green | magnet | BW2709 |
| | E-STOP button module | no | retaining clip | BW2585 |
| | light button module | red/green | 2 holes for screw mounting | BW3159 |
| | light button module | red/green | retaining clip | BW2528 |
| | light button module | red/green | magnet | BW2708 |
| | light button module | white/blue | 2 holes for screw mounting | BW3474 |

| Article no. | BW2709 | BW2773 | BW2529 | BW2585 |
|--------------------------------------|--|-------------------------|----------------|--------|
| General data | | | | |
| Device type | Safety E-STOP button module ASi | | | |
| Connection | | | | |
| Connections | M12 | | | |
| ASi | | | | |
| Profile | S-7.B.0, ID1=F | | | |
| Address | 1 single address | | | |
| Required Master Profile | ≥M3 | | | |
| Since ASi specification | 2.1 | | | |
| Operating voltage | 18 ... 31,6 V | | | |
| Max. current consumption | <50 mA | | | |
| Display | | | | |
| LED (green) | see table "BW2529 / BW2709 / BW2773 operating options" | | | – |
| LED (red) | see table "BW2529 / BW2709 / BW2773 operating options" | | | – |
| Robustness | | | | |
| Robustness | – | | | |
| Shock resistance | – | acc. EN 60068-2-27 | | |
| Vibration resistance | – | acc. EN 60068-2-6 | | |
| Environmental stability | acc. EN 60068-2 | | | |
| UL-specifications (UL508) | | | | |
| External protection | An isolated PELV/SELV voltage source of ≤30 V _{DC} has to be protected by a 3 A maximum over current protection. Over current protection is not required when a Class 2 source is employed. | | | |
| In general | UL mark does not provide UL certification for any functional safety rating or aspects of the above devices. | | | |
| Environment | | | | |
| Applied standards | EN ISO 13849-1 PLe Kat 4 EN ISO 13849-2 EN 62061 SIL 3 EN ISO 13850 EN ISO 60947-5-1 EN ISO 60947-5-5 EN 61000-6-2 EN 61000-6-4 EN 60529 EN 62026-2 | | | |
| Operating altitude | max. 2000 m | | | |
| Ambient temperature | 0 °C ... +70 °C | | | |
| Storage temperature | -25 °C ... +85 °C | | | |
| Pollution degree | 2 | | | |
| Protection category | IP54 (in unlocked state) | | | |
| Installation depth | – | | | |
| Mounting method | magnet | rail mounting or screws | retaining clip | |
| Contacts | gold contacts, for 100% reliable switching | | | |
| Contact assignment | 2 normally closed | | | |
| Shock resistance min. | 100 N | | | |
| Mushroom diameter | 30 mm | | | |
| Life cycle min. (switching cycle) | 50.000 | | | |
| Dimensions (W / H / D in mm) | 123 / 42 / 66 | | 123 / 42 / 62 | |

| Article no. | BW3159 | BW2528 | BW2708 | BW3474 |
|-----------------------------------|--|----------------|---------------|-------------------------|
| General data | | | | |
| Device type | ASi pushbutton module | | | |
| Connection | | | | |
| Connections | M12 | | | |
| ASi | | | | |
| Profile | S-7.A.7, ID1=7 (fixed) | | | |
| Address | 1 AB address | | | |
| Required Master Profile | ≥M4 | | | |
| Since ASi specification | 3.0 | | | |
| Operating voltage | 18 ... 31,6 V | | | |
| Max. current consumption | < 80 mA | | | |
| Display | | | | |
| LED (green) | D0 / D2 | | - | |
| LED (red) | D1 / D3 | | - | |
| LED (white) | - | | DO2 | |
| LED (blue) | - | | DO0 | |
| Robustness | | | | |
| Robustness | - | | | |
| Shock resistance | acc. EN 60068-2-27 | | - | |
| Vibration resistance | acc. EN 60068-2-6 | | - | |
| Environmental stability | acc. EN 60068-2 | | | |
| UL-specifications (UL508) | | | | |
| External protection | An isolated PELV/SELV voltage source of ≤30 V _{DC} has to be protected by a 3 A maximum over current protection. Over current protection is not required when a Class 2 source is employed. | | | |
| In general | UL mark does not provide UL certification for any functional safety rating or aspects of the above devices. | | | |
| Environment | | | | |
| Applied standards | EN 61 000-6-2 EN 61 000-6-4 EN 62026-2 EN 60529 | | | |
| Operating altitude | max. 2000 m | | | |
| Ambient temperature | 0 °C ... +70 °C | | | |
| Storage temperature | -25 °C ... +85 °C | | | |
| Protection category (EN 60529) | IP54 | | | |
| Installation depth | - | | | |
| Mounting method | rail mounting or screws | retaining clip | magnet | rail mounting or screws |
| Contacts | gold contacts, for 100% reliable switching | | | |
| Contact assignment | normally opened contact, per button 1 normally opened contact | | | |
| Shock resistance min. | 100 N | | | |
| Mushroom diameter | - | | | |
| Life cycle min. (switching cycle) | 1.000.000 | | | |
| Dimensions (W / H / D in mm) | 123 / 42 / 38 | | 123 / 42 / 42 | |

BW2529 / BW2709 / BW2773 operating options

| | Parameter bit | | LED display | | | |
|----------------------------|------------------|------------------|-------------|----------|-----------|------------------------|
| | P1 | P0 | green | red | yellow | yellow flashing (1 Hz) |
| Operation by switch | 1 ⁽¹⁾ | 1 ⁽¹⁾ | unlocked | operated | - | no ASi communication |
| | 0 | 1 | operated | unlocked | | |
| Operation via ASi | x | 0 | DO1 | DO0 | DO0 + DO1 | no ASi communication |

(1) default

BW2528, BW2708, BW3159:

| | | DO3 | DO2 | DO1 | DO0 | DI1 | DI0 |
|--------------|--|------------------|-------|------------------|-------|-----|-----|
| Button above | | red | green | - | - | • | - |
| | | yellow (DO3+DO2) | | | | | |
| Button below | | - | - | red | green | - | • |
| | | | | yellow (DO1+DO0) | | | |

BW3474:

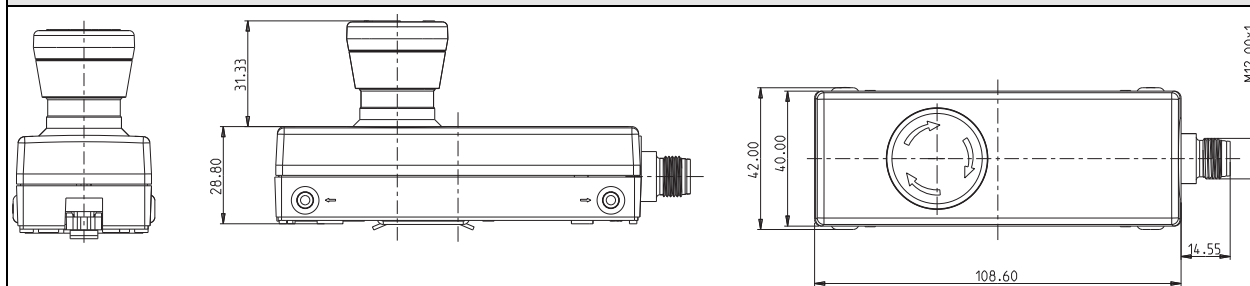
| | | DO3 | DO2 | DO1 | DO0 | DI1 | DI0 |
|--------------|--|-----|-------|-----|------|-----|-----|
| Button above | | - | white | - | - | • | - |
| Button below | | - | - | - | blue | - | • |

Pin assignment

| Connections | | | | | |
|--|------|------|------|------|--|
| Article no. | Pin1 | Pin2 | Pin3 | Pin4 | |
| BW2528, BW2529, BW2585, BW2708, BW2709, BW2773, BW3159, BW3474 | ASi+ | n.c. | ASi- | n.c. | |

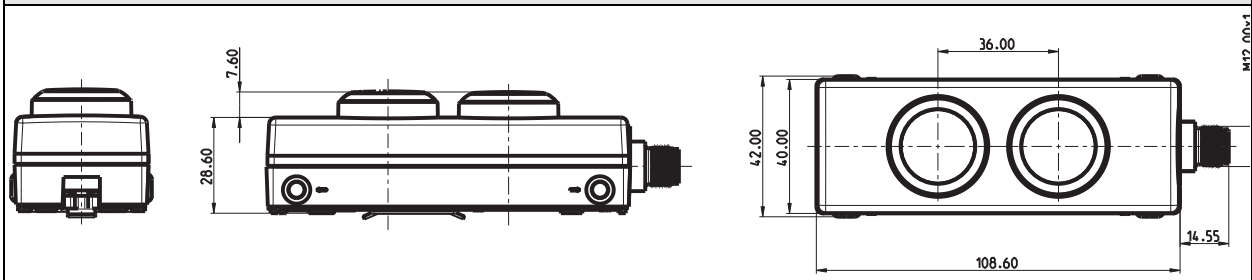
Dimensions:

BW2529, BW2585, BW2709, BW2773



Dimensions:

BW2528, BW2708, BW3159



Drilling pattern for direct mounting via screws

BW2773, BW3159, BW3474

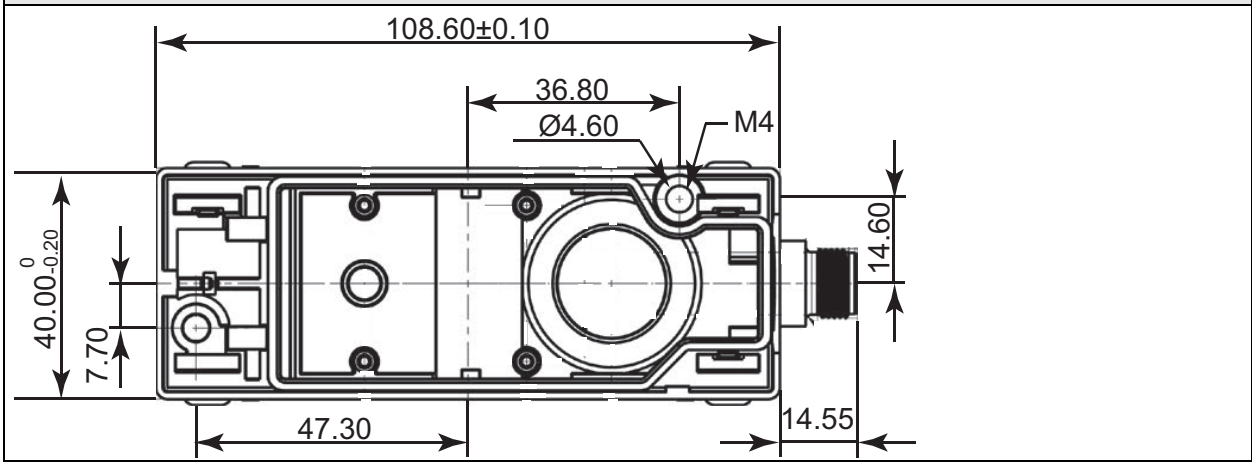
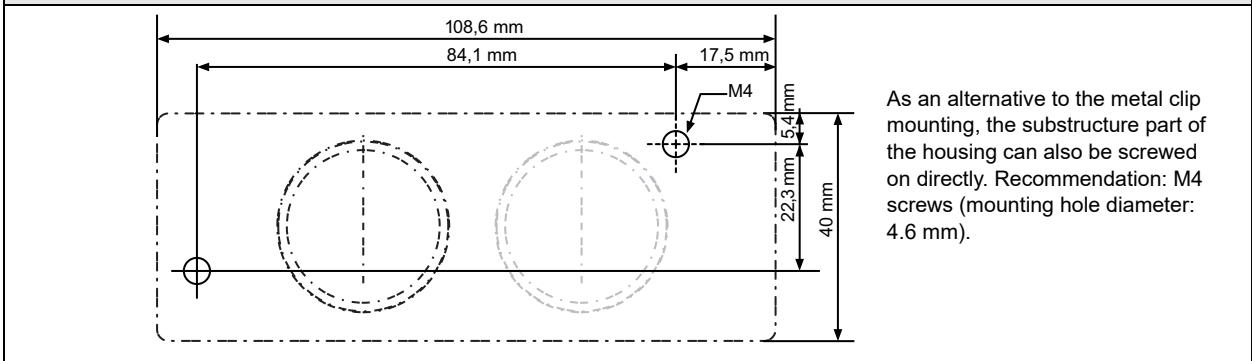
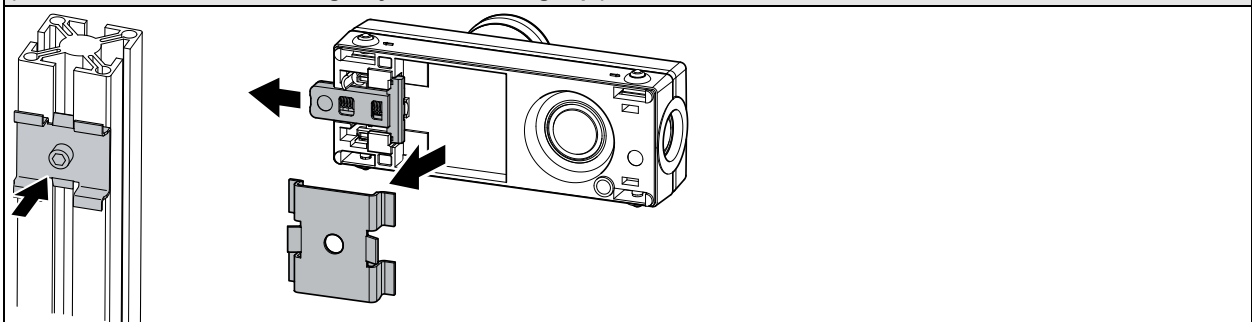


Image for rail mounting:

BW2528, BW2529, BW2585, BW2773, BW3159 and BW3474
(BW2529 and BW2585: Mounting only about retaining clip!)



Accessories:

- **Passive Distributor ASI**, housing depth 30 mm, IP67, connection for 1 x ASI profile cable to 1 x M12 socket, 5 poles (art. no. BWU1239)
- **Passive Distributor ASI/AUX**, housing depth 28 mm, IP67, connections for 1 x ASI and 1 x AUX profile cables to 1 x M12 socket, 5 poles (article no. BW3803)
- **ASI-5/ASI-3 Address Programming Device** (art. no. BW4925)