



AS-Interface Master News (08/2024)

8-port master brings fast standard I/Os and IO-Link together

Do you want to **transmit standard signals** as quickly as possible and use IO-Link at the same time? Then use one of our **IO-Link masters**, which we offer with **1, 2, 4, and 8 ports**: When configured accordingly, they can transmit all **standard signals up to 16 I/Os in just 1.27 ms** – regardless of how many bytes of IO-Link data are transmitted in parallel. Every M12 socket has two signals that can be configured as two I/Os or one I/O and IO-Link communication.

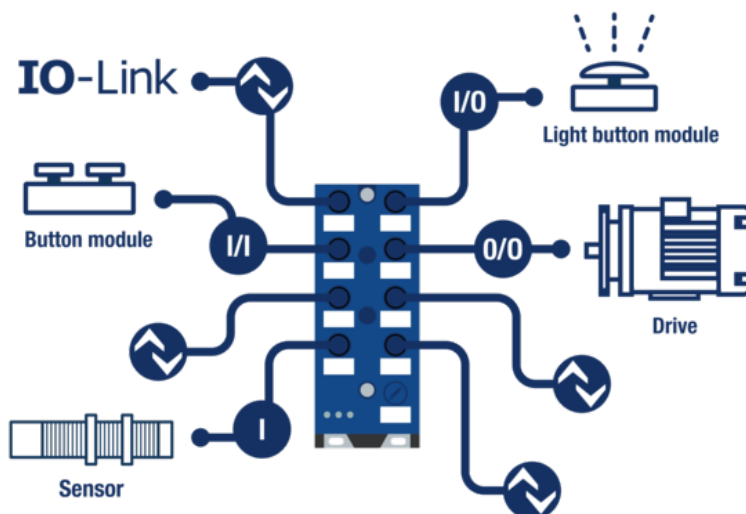


Fig.: Through the ability to flexibly configure the ports, no additional standard digital modules are required – as can be seen here with the 8-port IO-Link master [BWU4386](#).

Advantages of IO-Link with Bihl+Wiedemann

- **High level of fieldbus independence** – Our solution is suitable for all **fieldbus systems**, e.g., PROFINET, EtherNet/IP, EtherCAT, Sercos or POWERLINK.
- **Simple configuration** – IO-Link is perfectly embedded in **ASi-5** and our user-friendly **PC software**. Our new **video tutorial** demonstrates how easy it is to configure.
- **Save on IO hubs** – If a particularly large number of I/Os need to be transferred, it pays to use our ASi-5 16 I/O modules, e.g., [BWU4230](#). This eliminates the need for an IO-Link master and additional connection cables.
- **Clever wiring concept** – IO-Link devices, standard sensors, and safety modules are all connected to a single two-wire cable using piercing technology. Since no connectors and pre-assembled cables are needed, you also save valuable resources.
- **Reduced total costs** – Our IO-Link masters with 4 ports are, for instance, about 50% cheaper than comparable modules from other manufacturers. [Click here to view our main cost](#)

comparison.



More information



Further questions about our products and solutions?

We would be happy to assist you.



Abmeldelink | unsubscribe | Lien de désinscription | Anular suscripción | Link di cancellazione
Impressum | Privacy Policy