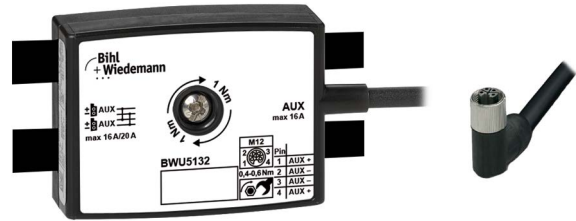


## Passive Distributor AUX

Connections for 2 x AUX profile cables to M12 power cable socket, angled, L-coded, 4 poles



(figure similar)



Figure	Type	Flat design, montage in cable duct possible <sup>(1)</sup>	Internal fuse <sup>(2)</sup>	Profile cable connection	Connection <sup>(3)</sup>	Round cable <sup>(4)</sup>	Special function	Protection category	Article no.
	IP67, 25 mm deep	yes, 25 mm deep	no	2 x AUX	1 x M12 power cable socket, angled, L-coded, 4 poles	1 m	–	IP67	<b>BWU5132</b>

(1) **Flat design, installation in cable duct possible**

Modules with a flat housing design and with cables which exit the sides make these ideal for installation in cable ducts, cable channels, cable troughs, cable rails or cable trays. Please note the respective housing depth for your particular installation.

(2) **Internal fuse**

**1 A, self-resetting:** The internal protection is realized via self-resetting 1 A fuses for AUX. At each connection  $\leq 1$  A are available.

**4 A slow-blow fuse:** The internal protection is realized via 4 A slow-blow fuses for AUX  $U_S$  and AUX  $U_P$ . At each connection  $\leq 4$  A are available.

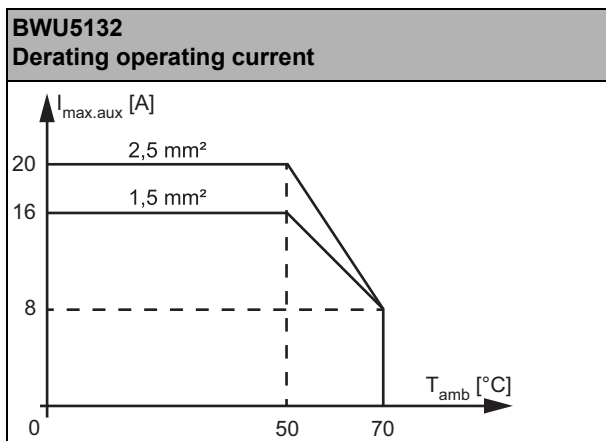
**8 A slow-blow fuse:** The internal protection is realized via 8 A slow-blow fuses for AUX. At each connection  $\leq 8$  A are available.

(3) **Connection:** further connection options are available on request.

(4) **Cable:** other cable lengths are available on request.

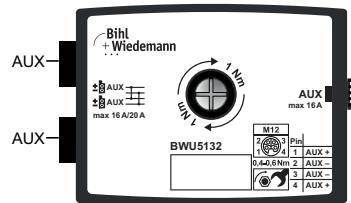
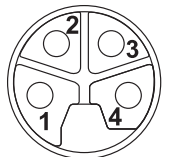
<b>Article No.</b>		<b>BWU5132</b>
<b>Connection</b>		
Profile cable connection	2 x AUX profile cable and piercing technology	
Connection	1 x M12 power cable socket, angled, L-coded, 4 poles	
Round cable	1 m max. allowed tensile strain 10 N	
Operating voltage	10 ... 32 V <sub>DC</sub> PELV	
Operating current	up to +50 °C	profile cable, piercing technology: ≤16 A with 1,5 mm <sup>2</sup> wire section <sup>(1)</sup> ≤20 A with 2,5 mm <sup>2</sup> wire section <sup>(1)</sup>
		≤16 A <sup>(1)</sup> for each M12 connection
	at +70 °C	profile cable, piercing technology: ≤8 A <sup>(1)</sup>
		≤8 A <sup>(1)</sup> for each M12 connection
Internal fuse	-	
<b>Environment</b>		
Applied standards	EN 60529 EN 61000-6-2 EN 61000-6-3	
Operating altitude	max. 2000 m	
Ambient temperature	-30 °C ... +70 °C <sup>(1) (2)</sup>	
Storage temperature	-25 °C ... +85 °C	
Housing	plastic, for screw mounting, suitable for cable ducts (depth ≥25 mm)	
Pollution Degree	2	
Protection category	IP67	
Maximum tolerable shock and vibration stress	≤15g, T≤11 ms 10 ... 55 Hz, 0,5 mm Amplitude	
Insulation voltage	≥500 V	
Weight	75 g	
Dimensions (W / H / D) in mm	60 / 45 / 25	

(1)


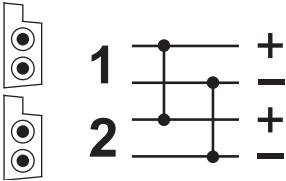


(2) Down to -25 °C with flexibly mounted cable, -30 °C only with fixed mounted cable.

Connections: M12 power cable socket, L-coded					
Article No.	M12 connection	Pin1 (BN)	Pin2 (WH)	Pin3 (BU)	Pin4 (BK)
BWU5132	X1 (1)	AUX+	AUX-	AUX-	AUX+

(1) To use the maximum current  $I_{max}$  all 4 pins must be contacted.

Connections: profile cable branch	
Article No.	
BWU5132	  max. 16 A/20 A

**Accessories:**

- Sealing profile IP67 (IDC plug), 60 mm (article no. BW3282)
- ASi profile cable (black) for additional auxiliary power, wire section 1,5 mm<sup>2</sup> (art. no. BW1980, BW2757)
- ASi profile cable (black) for additional auxiliary power, wire section 2,5 mm<sup>2</sup> (art. no. BW3169)