

ASi-5 cable duct motor module for 24 V motorized rollers

ASi-5 cable duct motor module for 24 V motorized rollers, M8 and M12, 2M/4I

- ASi and AUX per profile cable



(figure similar)

New standard ASi-5

Suitable for


- 2 x 24 V motorized rollers Interroll EC5000 AI with 20 W/35 W
- 2 x 24 V motorized rollers Itoh Denki PM500XC/XK
- 2 x 24 V motorized rollers Rulmeca RDR BL-3

Cyclic writing of speed and ramps possible

4 x digital inputs for sensor connection

Protection category IP54



Figure	Drive ⁽¹⁾	Number of drives	Line protection fuse ⁽²⁾	Inputs digital	Input voltage (sensor supply) ⁽³⁾	Output voltage (actuator supply) ⁽⁴⁾	Connection	ASi connection ⁽⁵⁾	Article No.
	Interroll, Itoh Denki, Rulmeca	2	yes, separately for each motor, 5,0 A (slow-blow fuse)	4	out of ASi and AUX	out of AUX	2 x M8 Snap-in cable sockets, straight, 5 poles, 2 x M12 cable sockets, straight, 5 poles	ASi profile cable	BWU5167

(1) Drive:

Under certain circumstances also suitable for control of motorized rollers from other manufacturers with the same technical data, e.g. MTA MRA50 or Pulseroller IDC. Please compare the manufacturer's specifications with the current values and the pin assignment of the motor module.

(2) Line protection fuse:

In the motor module UL approved fuses are placed before each of the motor supply connections. A short circuit in the motor causes this fuse to blow, protecting the connection cable between the module and motor.

After blowing the not exchangeable fuse the module is no longer functional and the module needs to be replaced. The characteristics of the fuse must be checked against the motor data before using the module.

The protection circuit in the module allows a very simple protection of the motor cables. The fuse for the cable protection is a slow-blow one; without short circuit the robust behavior of the module remains.

(3) Input voltage (sensor supply):

Inputs are supplied by ASi or by AUX (auxiliary 24 V power). If supplied by ASi, inputs shall not be connected to earth or to external potential.

(4) Output voltage (actuator supply):

Outputs are supplied by ASi or by AUX (auxiliary 24 V power). If supplied by ASi, outputs shall not be connected to earth or to external potential.

(5) ASi connection:

The connection to ASi as well to AUX (auxiliary 24 V power) is made via yellow resp. black ASi profile cable with piercing technology or via M8 socket.

ASi-5 cable duct motor module for 24 V motorized rollers

Article no.		BWU5167
General data		
Motorized rollers	2 x Interroll (EC5000 AI, 24V, 20 W/35 W) 2 x Itoh Denki (PM500XC/XK) 2 x Rulmeca (RDR BL-3) ⁽³⁾	
Connection		
ASi/AUX connection	profile cable and piercing technology	
Periphery connection	M: 2 x M8 Snap-in cable sockets, straight, 5 poles I: 2 x M12 cable sockets, straight, 5 poles	
Cable(L in m) ⁽¹⁾	L1 (I3/I4): 1,0 L2 (I1/I2): 1,0 L3 (M2/ERR2): 0,4 L4 (M1/ERR1): 0,4 max. allowed tensile strain 10 N	
ASi		
Address	1 ASi-5 address	
Required ASi specification of master	ASi-5	
Operating voltage	30 V (18 ... 31,6 V)	
Max. current consumption	200 mA	
Max. current consumption without sensor/ actuator supply	80 mA	
AUX		
Voltage	24 V (18 ... 30 V)	
Max. current consumption	at 20 W: 2,8 A continuously, 6,0 A peak at 35 W: 4,8 A continuously, 11,0 A peak	
Input		
Number	4 x sensor inputs + 2 x motor fault inputs	
Power supply	sensor inputs: out of ASi motor fault inputs: out of AUX	
Power supply of attached sensors	up to +40 °C	120 mA ⁽⁴⁾
	at +55 °C	80 mA ⁽⁴⁾
	at +70 °C	40 mA ⁽⁴⁾
Switching threshold	U _{in} < 5 V (low) U _{in} > 10 V (high)	
Output		
Number of drives	2	
Power supply	out of AUX (galvanic separation)	
Overload voltage tolerated by reaction (AUX)	35 V-resistant brake chopper compatible	
Max. output current	10 mA per output	
Supply of motors	out of AUX	
	per motor: 1,4 A continuously at 20 W per motor: 2,4 A continuously at 35 W	
Max. current for motor supply	up to +40 °C	per motor: 2,4 A continuously ⁽⁵⁾
	at +55 °C	per motor: 1,7 A continuously ⁽⁵⁾
	at +70 °C	per motor: 1,0 A continuously ⁽⁵⁾
Line protection fuse	yes, separately for each motor, 5,0 AT, at 10 A (200%) release between 1 s and 120 s, fuse UL certified ⁽⁶⁾	

ASi-5 cable duct motor module for 24 V motorized rollers

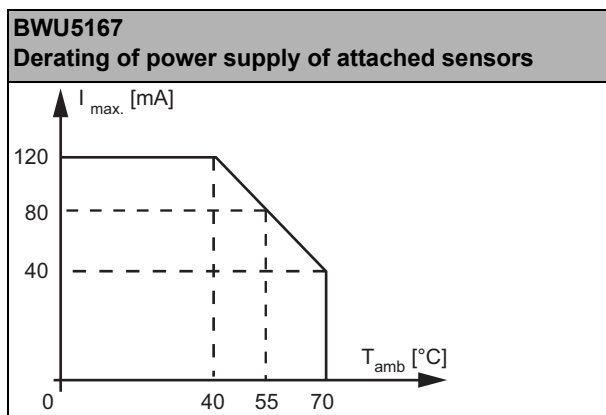
Article no.	BWU5167
Display	
LED ASI (green)	on: ASi voltage on off: no ASi voltage
LED FLT/FAULT (red)	on: no data exchange flashing: peripheral fault ⁽⁷⁾ off: data exchange ok
LED AUX (green)	on: 24 V _{DC} AUX off: no 24 V _{DC} AUX
LEDs I1 ... I4 (yellow)	state of inputs I1 ... I4
LEDs M1, M2 (yellow)	state of motors M1, M2 on: motor on off: motor off
LEDs ERR1, ERR2 (red) ⁽²⁾	on: motor M1, M2 is signaling fault condition ⁽⁷⁾ flashing (only Interroll): Motor M1, M2 is signaling fault condition or is not connected to the module ⁽⁷⁾
Environment	
Applied standards	EN 61000-6-2, EN 61000-6-4, EN 60529 EN 61131-2
It can be used with a switched AUX cable, which is passively safe up to SIL3/PLe	yes ⁽⁸⁾
Operating altitude	max. 2000 m
Operating temperature	-30 °C ... +70 °C ⁽⁴⁾ ⁽⁵⁾
Storage temperature	-25 °C ... +85 °C
Housing	plastic, for screw mounting suitable for cable ducts (≥19 mm installation depth)
Pollution degree	2
Protection category	IP54
Tolerable loading referring to humidity	according to EN 61131-2
Max. tolerable shock load	according to EN 61131-2
Max. tolerable vibration stress	according to EN 61131-2
Isolation voltage	≥ 500 V
Weight	approx. 205 g
Dimensions (W / H / D in mm)	130 / 60 / 18

(1) ±0,005 m manufacturing tolerance

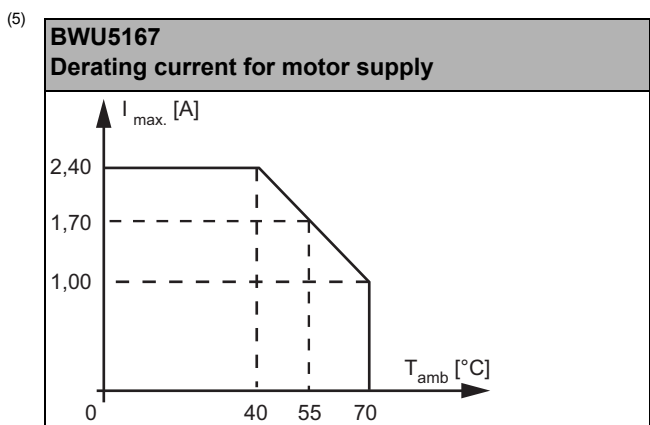
(2) The ERR LED is not controlled when the motor ports are deactivated

(3) suitable for transmission rates 24:1, 36:1, 49:1, 64:1, 96:1 (not suitable for transmission rates 12:1, 16:1)

(4)

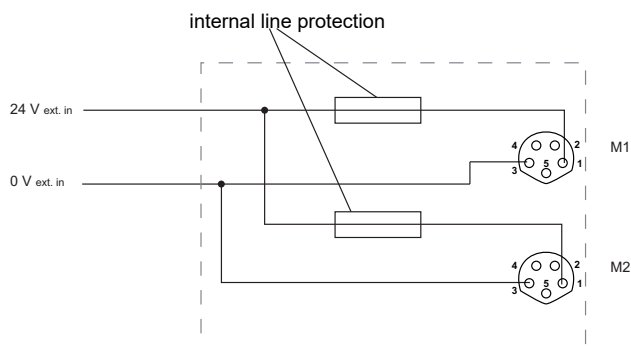


ASi-5 cable duct motor module for 24 V motorized rollers



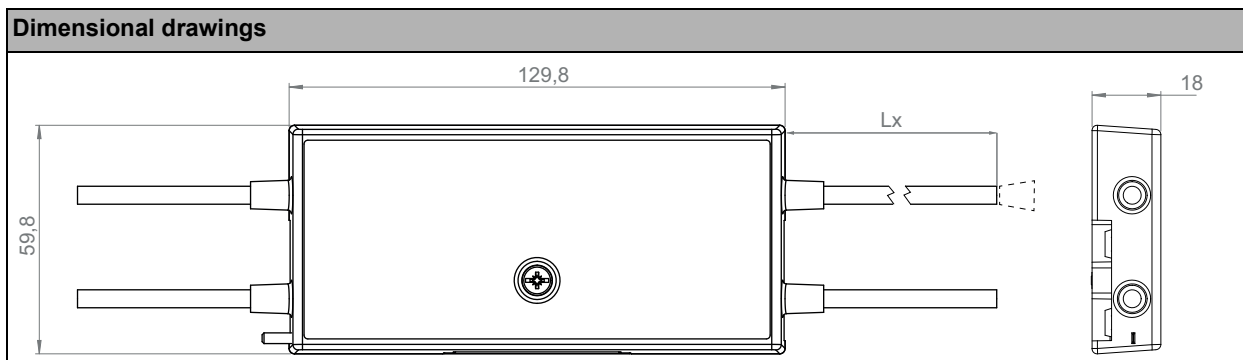
(6) In the motor module UL approved fuses are placed before each of the motor supply connections. A short circuit in the motor causes this fuse to blow, protecting the connection cable between the module and motor. After blowing the not exchangeable fuse the module is no longer functional and the module needs to be replaced. The characteristics of the fuse must be checked against the motor data before using the module.

The protection circuit in the module allows a very simple protection of the motor cables. The fuse for the cable protection is a slow-blow one; without short circuit the robust behavior of the module remains.



(7) see table "Peripheral fault indication".

(8) The module is suitable for use in paths with a passively safe-switched AUX cable, since an exclusion of errors can be assumed for the connection of the two ASi and AUX potentials.



Article no.	Peripheral fault indication			
	Overload output	AUX voltage missing	Overload sensor supply	at least 1 motor fuse is blown or 1 motor in fault condition or is not connected to the module ⁽¹⁾
BWU5167	•	•	•	•

(1) only Interroll

ASi-5 cable duct motor module for 24 V motorized rollers

Programming (ASi bit assignment)

Article no.	Byte	bit							
		D7	D6	D5	D4	D3	D2	D1	D0
BWU5167	0	Fuse M2	Fuse M1	Error M2 ⁽¹⁾	Error M1 ⁽¹⁾	I4	I3	I2	I1
	1	reserved	Temperature Error	Voltage Error	reserved			Error M2 ⁽¹⁾	Error M1 ⁽¹⁾
	2	AUX voltage (mV), high byte, UINT16							
	3	AUX voltage (mV), low byte, UINT16							

⁽¹⁾ The motor ports can be deactivated individually using the software ASIMON360 (BW2916) or ASi Control Tools360 (BW2902).

Article no.	Byte	bit							
		D7	D6	D5	D4	D3	D2	D1	D0
BWU5167	0	Speed M1 ⁽¹⁾ (speed motor 1) (- 100 ... 0 ... 100 %), INT8							
	1	Speed M2 ⁽¹⁾ (speed motor 2) (- 100 ... 0 ... 100 %), INT8							
	2	ramp M1 (0 ... 25,5 s), UINT8 ⁽²⁾							
	3	ramp M2 (0 ... 25,5 s), UINT8 ⁽²⁾							

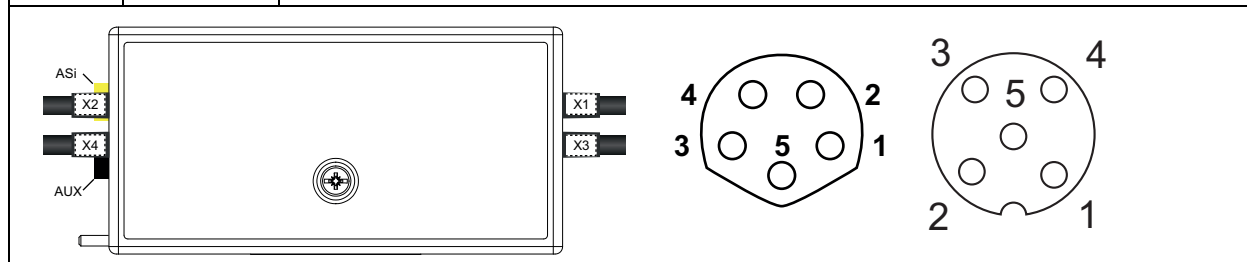
⁽¹⁾ The motor ports can be deactivated individually using the software ASIMON360 (BW2916) or ASi Control Tools360 (BW2902).

⁽²⁾ Time for setpoint step by ±100% (acceleration, deceleration).

Pin assignment

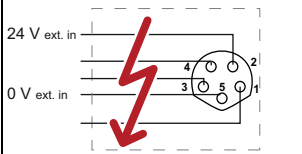
Signal name	Explanation
Ix	digital input x
CW Mx (clockwise)	direction of rotation of motor x
Error Mx	error at motor x
Speed Mx	speed of motor x
24 V _{ext out}	power supply, out of external voltage, positive pole (AUX, actuator supply)
0 V _{ext out}	power supply, out of external voltage, negative pole (AUX, actuator supply)
ASi+, ASi-	connection to ASi bus
24 V _{out of ASi}	power supply, out of ASi, positive pole (sensor supply)
0 V _{out of ASi}	power supply, out of ASi, negative pole (sensor supply)
n.c.	not connected

Connections								
Article no.	M8+M12 connection	Name	Function	Pin1	Pin2	Pin3	Pin4	Pin5
BWU5167	X1	I3/I4	inputs 3,4	24 V _{out of ASi}	I4	0 V _{out of ASi}	I3	n.c.
	X2	I1/I2	inputs 1,2	24 V _{out of ASi}	I2	0 V _{out of ASi}	I1	n.c.
	X3 ⁽¹⁾	M2/ERR2	motor 2	24 V _{ext out}	CW M2	0 V _{ext out}	Error M2	Speed M2
	X4 ⁽¹⁾	M1/ERR1	motor 1	24 V _{ext out}	CW M1	0 V _{ext out}	Error M1	Speed M1



ASi-5 cable duct motor module for 24 V motorized rollers

(1)

	Notice Incorrect wiring at the motor sockets can cause a device defect.
---	---

Accessories:

- **ASi Substructure Module in IP67 for ASi cable duct motor modules (art. no BW4749)**
- **Magnetic holders for substructure Modules (art. no. BW4779)**
- **ASi-5/ASi-3 Address Programming Device (art. no. BW4925)**